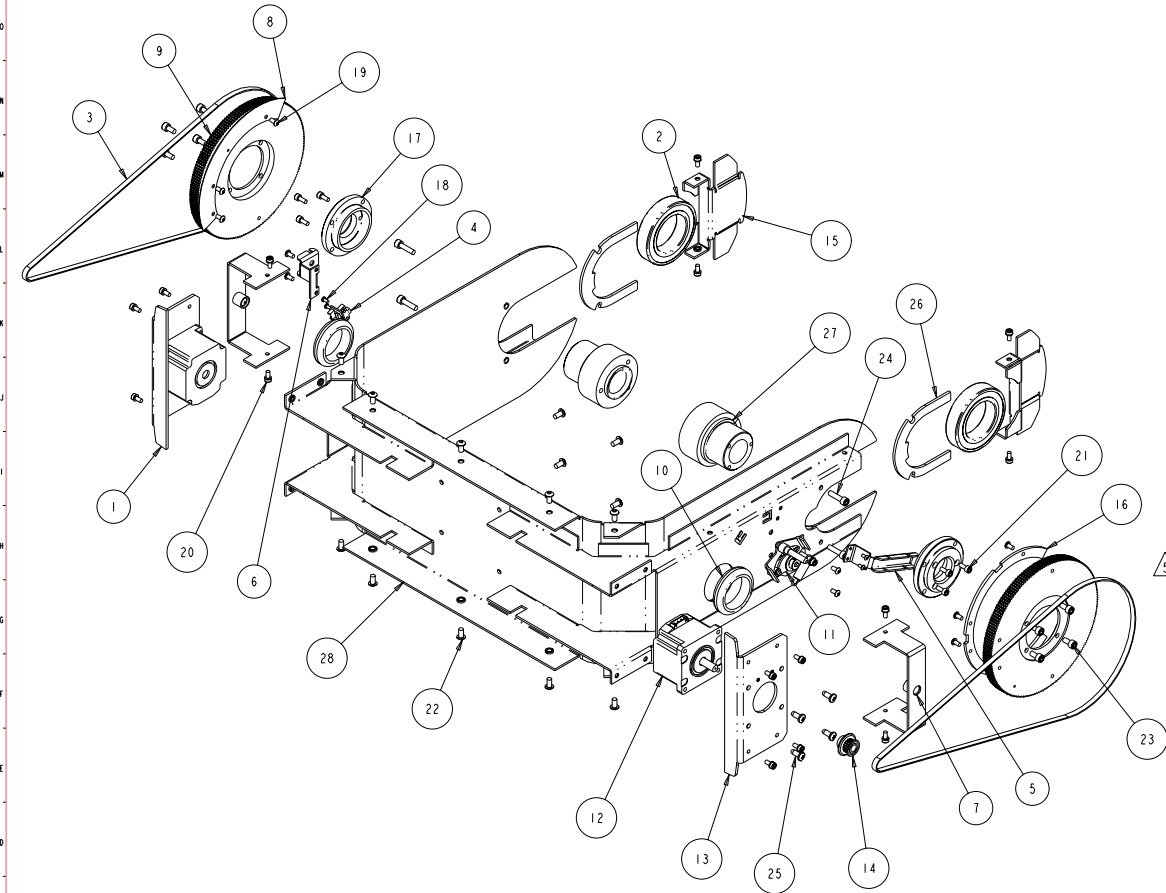


DBA003



REV.	DESCRIPTION	DATE	ENG	ECO #	APPR
1	CREATE DRAWING				
2	CHANGE OUT SCREWS PER PRODUCTION REQUEST	16SEP04	LR		
3	INCORPORATE SIMPLIFIED VERSION OF ENCODER SENS	26OCT04	LR		
4	REVERTED BACK TO ORIGINAL ENCODER DESIGN	23NOV04	DF		
5	REMOVED PN: 80071816 ADDED PN: 80071874	31MAY05	DF		

28	1	DBA016	80071853	-	YOKE, WELDED ASSY PAINTED DL2
27	2	CAT327	99140018	A	TUBE, TILT CATALYST HEAD, DL1
26	2	CAT187	99260425	-	STOP, TILT TUBE, DL1
25	4	SCREW10-14PPF500	90709062	-	SCREW, PHIL PAN #10 X 1/2 PLASTITE SZ
24	4	SCREWS5AC20SSP	91100520	-	SCREW, M5 SOCKET 20 SS W/PATCH
23	8	SCREWS5AC10SSP	91100510	-	SCREW, M5 SOCKET 10 SS, W/PATCH
22	14	SCREWS5AB10BZP	91010510	-	SCREW, M5 BUTTON 10 BZ W/PATCH
21	6	SCREWM4AC10BZP	91050410	-	SCREW, M4 SOCKET CAP 10 BZ W/PATCH
20	16	SCREWM4AC08BZ	91000408	-	SCREW, M4 SOCKET 08 BZ SEMS
19	11	SCREWM4AB08BZP	91010408	-	SCREW, M4 BUTTON 08 BZ W/PATCH
18	4	SCREWM3AB06BZ	91010306	-	SCREW, M3 BUTTON 06 BZ NYTEMP
17	2	CAT328	99360041	-	PULLEY, ADAPTOR, TILT, DL1
16	1	DB160	80071874	A	PLATE, YOKE LOCK 2 POS COATED DL2
15	2	CAT181	80071806	C	PLATE, TILT BEARING RETAINER BLK DL1
14	1	DB335	99430118	-	PINION, ASSY 17T 3MM HTD
13	1	DB142	99260463	-	MOUNT, TYPE 23 MOTOR DL-2
12	1	MRD60	99270035	-	MOTOR, STEP 3PH S60 22.5MM SHAFT JS
11	1	CATA031	INTERNAL	NA	LATCH, ASSY, TILT, DL1
10	2	GROMMET_1-50_ID	90410146	-	GROMMET, 1.50 ID x 2.13 OD RUBBER
9	2	CAT317	99430107	A	GEAR, PULLEY, 17OT TILT/PAN DRIVE, DL1
8	1	CAT183	99360042	-	FLANGE, TILT SENSOR, DL1
7	2	CAT186	99260424	A	BRACKET, YOKE ARM COVER RETAINER DL1
6	1	CAT198	99263113	B	BRACKET, WIRE GUIDE, RIGHT, DL1
5	1	CAT197	99263112	-	BRACKET, WIRE GUIDE, LEFT, DL1
4	1	FS709	80040022	-	BOARD, ASSY ME46 FLAG HOMING SENSOR
3	2	CAT507	99360039	-	BELT, TIMING, TILT, 300 GROOVE 6MM
2	2	BEARING_45-75MM_BALL	90719061	-	BALL BEARING 45.0 x 75.0 X 16.0 MM
1	1	DBA025	INTERNAL	NA	ASSY, TILT DRIVE, W-ENCODER

ITEM NO.	QTY.	FILENAME	PART NO.	REV	DESCRIPTION
BILL OF MATERIALS					

UNLESS OTHERWISE SPECIFIED: DIMENSIONAL TOLERANCES: 0 PLACE DECIMAL = ±0.38 1 PLACE DECIMAL = ±0.25 2 PLACE DECIMALS = ±0.13 ANGLES = ±0.5°	RELEASE DATE: ENG: ME: MEG:	CE: OA: DRW: S. HANSEN	High End 2105 GRACY FARMS LANE AUSTIN, TEXAS 78758 (512) 836-2242 FAX (512) 832-4128 ***** http://www.highend.com	LR LIGHTWAVE RESEARCH
FOR PAINTED PARTS REFER TO ENG. SPEC. MANUAL WI-0592	MATERIAL: CHARTED	FINISH: NA		
MIN. DRAFT	INTERPRET DIMENSIONS PER ASME Y14.5M-1994 THIRD ANGLE PROJECTION DIMENSIONS ARE IN MILLIMETERS	SI METRIC A1	PART NO. INTERNAL DBA003	REV. NA
MIN. RADI1			DO NOT SCALE	SHEET: 1 OF 1
FLATNESS			SCALE: 0.400	
THICKNESS				
VOLUME				

PROPRIETARY NOTICE:
THIS DOCUMENT CONTAINS CONFIDENTIAL AND PROPRIETARY INFORMATION OF HIGH END SYSTEMS INC., (ALSO DBA LIGHTWAVE RESEARCH) AND IS GIVEN TO THE RECEIVER IN CONFIDENCE. THE RECEIVER ACCEPTS AND AGREES THAT, EXCEPT AS AUTHORIZED BY HIGH END SYSTEMS, THE RECEIVER WILL NOT PERMIT THE USE OF THE DOCUMENT OR ANY COPY THEREOF ON THE INFORMATION THEREIN. WILL NOT COPY OR PERMIT COPYING THE DOCUMENT WILL NOT DISCLOSE TO OTHERS EITHER THE DOCUMENT OR THE INFORMATION THEREIN, AND WILL UPON COMPLETION OF THE NEED TO RETAIN THE DOCUMENT, OR UPON DEMAND, RETURN THE DOCUMENT WITHOUT RETAINING ANY OF THE INFORMATION CONTAINED THEREIN IN ANY FORM WHATSOEVER.