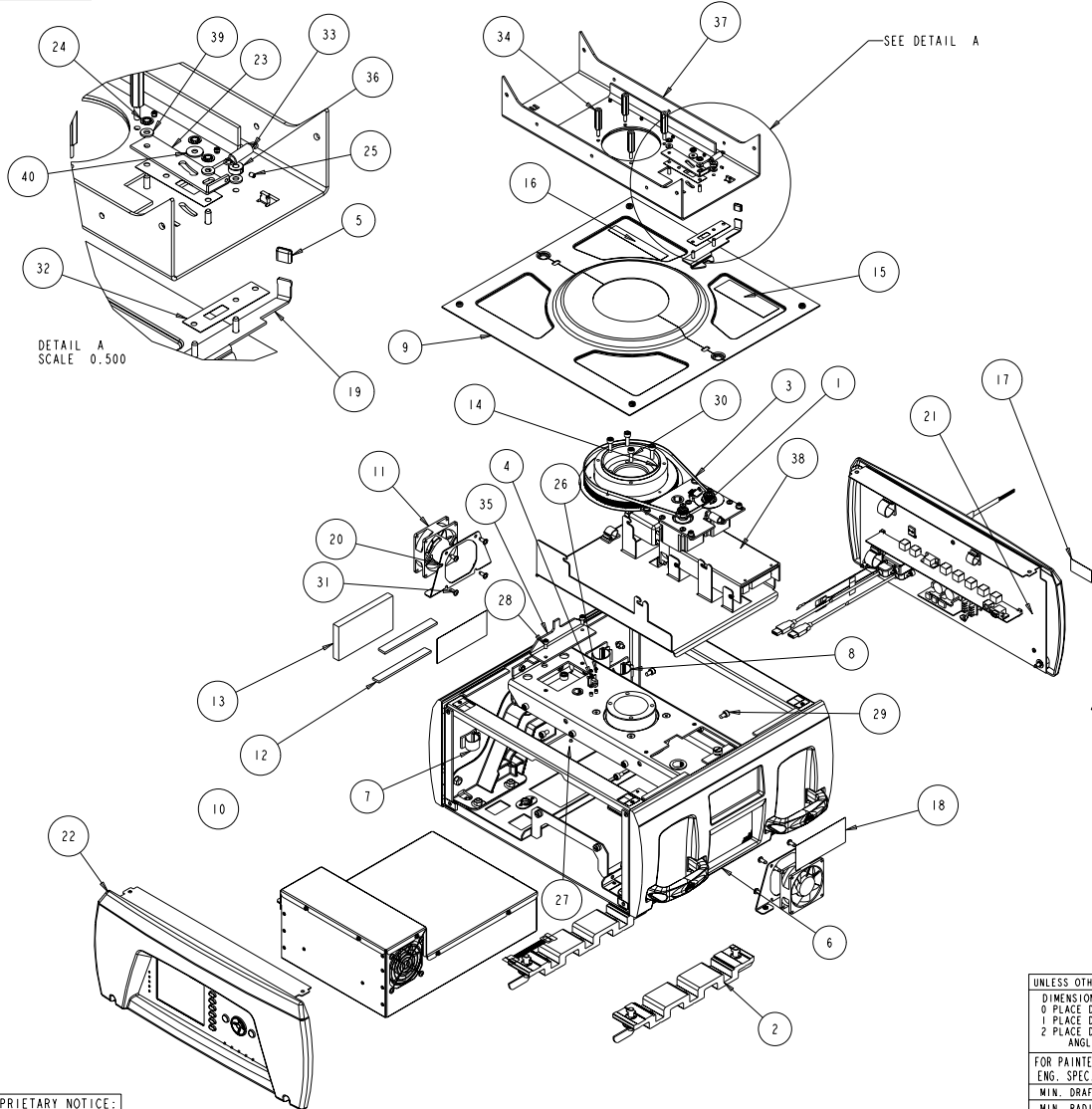


DBA002



REV.	DESCRIPTION	DATE	ENG	ECO #	APPR
8	CHANGED HARDWARE FOR MODIFIED PAN LATCH DESIGN, ADDED HARDWARE FOR MODIFIED PAN DESIGN	23NOV04	DF		
9	REPLACE FAN W/ (2X) STUDIO BEAM FANS	15DEC04	LR		
10	ADDED PN: 90706083, ADDED PN: 90701187, CHANGED PN: 90706012 FROM 4 TO 3, CHANGED PN: 90701364 FROM 4 TO 3	31MAY05	DF		
11	ADDED PN: 90722021				

ITEM NO.	QTY.	FILENAME	PART NO.	REV	DESCRIPTION
40	1	SP132	90706083	A	WASHER, THRUST, OPTICAL MODULE ASSY
39	3	WASHER10-204X440SS	90706012		WASHER, FLAT #10 SS
38	1	DBA019	INTERNAL	NA	TRAY ASM, POWER SUPPLY, DL2
37	1	DB195	80071868	-	SUPPORT, REINFORCED YOKE BASE DL2
36	1	SW329	90701187	-	STOP, WHEEL RETAINER
35	1	DB129	99260461	B	STOP, PAN LOCK, DL2
34	4	DB330	91200667	-	STANDOFF, M5-0.8 X 42.7 HEX M-F STEEL
33	1	SPRING360.1120EXT	90701340	-	SPRING, EXTENSION .360 X 1.12 LG
32	2	DB210	99190090	-	SHIM, PAN LATCH, DL2
31	8	SCREW10-14PPF500	90709062	-	SCREW, PHIL PAN #10 X 1/2 PLASTITE SZ
30	4	SCREWM6AC20SS	91100620	-	SCREW, M6 SOCKET 20 SS
29	4	SCREWM6AC10SS	91100610	-	SCREW, M6 SOCKET 10 SS W/PATCH
28	2	SCREWM5AC10SSP	91100510	-	SCREW, M5 SOCKET 10 SS, W/PATCH
27	4	SCREWM4AC08BZ	91000408	-	SCREW, M4 SOCKET 08 BZ SEMS
26	2	SCREWM3AB06BZ	91010306	-	SCREW, M3 BUTTON 06 BZ NYTEMP
25	1	SCREW6-32AS188BZ	90707093	-	SCREW, 6-32 SOCKET SET 3/16 BO PTCH FT PT
24	3	RETAINER_PUSH_5MM	90701364	-	RETAINER, PUSH-ON, 5MM SHAFT
23	1	DB143	80070392	-	PLATE, DETENT, PAN LATCH, PLATED DL2
22	1	DBA006	INTERNAL	NA	PANEL ASSY, COMPLETE, CONTROL, DL2
21	1	DBA007	INTERNAL	NA	PANEL ASM, COMPLETE, I/O, DL2
20	2	DB103	99260453	-	MOUNT, EXHAUST FAN, TOP BOX DL2
19	1	DB134	80071849	B	LATCH, PAN LEVER
18	2	DB439	99310416	A	LABEL, SIDE, TOP BOX, DL2
17	1	LABEL_SERIAL_GENERIC	80590100	-	LABEL, SERIAL, GENERIC
16	1	LABEL_MFG_WARNING	99310399	-	LABEL, MANUFACTURERS WARNING DL1
15	1	DB453	99310414	-	LABEL, COMPLIANCE DL2
14	1	DBA015	INTERNAL	NA	GEAR ASSY, PAN DL2
13	1	DB512	80260015	-	FILTER, INTAKE TOP BOX DL2
12	2	VELCRO_STRIP_HOOK88	90722021	-	FASTENER, VELCRO, 5/8" WIDE W/P5A, HOOK 88
11	2	SY444	80270011	-	FAN, ASSY SUNON SP2 ST2
10	1	DBA010	80110037	D	ENCLOSURE ASSY, COMPLETE, CPU DL2
9	2	DBA024	80110035	A	COVER, ASSY UPPER, TOP BOX, DL2
8	2	CLIP_100_PUSH_ON_NY	90701359	-	CLIP, WIRE 1.00 DIA, PUSH MOUNT
7	1	CLIP_75_PUSH_ON_NY	90701358	-	CLIP, WIRE .75 DIA, PUSH MOUNT
6	1	DBA011	INTERNAL	NA	CHASSIS ASM, TOP BOX DL2
5	1	CAP_090X437ID_SILVER	90724014	-	CAP, .090 X .437 I.D., PUSH ON, NY, SILVER
4	1	FS709	80040022	-	BOARD, ASSY ME46 FLAG HOMING SENSOR
3	1	DB510	99360044	-	BELT, TIMING, 3MM HTD, 223 GROOVE, 6MM W
2	2	CATA032	80460003	A	ASSY, MOUNT, TRUSS, DLI EXTRUDED
1	1	DBA028	INTERNAL	NA	ASSY, MOTOR W/SENSOR, TOP BOX DL2

UNLESS OTHERWISE SPECIFIED: RELEASE DATE: CE: High End 2105 GRACY FARMS LANE AUSTIN, TEXAS 78758 (512) 836-2242 FAX (512) 832-4128 http://www.highend.com

DIMENSIONAL TOLERANCES: 0 PLACE DECIMAL = ±0.38 1 PLACE DECIMAL = ±0.25 2 PLACE DECIMALS = ±0.13 ANGLES = ±0.5°

FOR PAINTED PARTS REFER TO ENG. SPEC. MANUAL WI-0592

RELEASE DATE: _____ CE: _____ OA: _____

ENG: _____ ME: _____ MFG: _____

DESCRIPTION: ASSY, TOP BOX MAIN DL2

MATERIAL: NA FINISH: NA

MIN. DRAFT _____ INTERPRET DIMENSIONS PER ASME Y14.5M-1994 THIRD ANGLE PROJECTION DIMENSIONS ARE IN MILLIMETERS

SI METRIC A1 PART NO. INTERNAL DRAWING NO. DBA002 REV. NA

VOLUME _____ DO NOT SCALE SCALE: 0.250 SHEET: 1 OF 1

PROPRIETARY NOTICE:
 THIS DOCUMENT CONTAINS CONFIDENTIAL AND PROPRIETARY INFORMATION OF HIGH END SYSTEMS INC., (ALSO DBA LIGHTWAVE RESEARCH) AND IS GIVEN TO THE RECEIVER IN CONFIDENCE. THE RECEIVER ACCEPTS AND AGREES THAT, EXCEPT AS AUTHORIZED BY HIGH END SYSTEMS, THE RECEIVER WILL NOT PERMIT THE USE OF THE DOCUMENT OR ANY COPY THEREOF ON THE INFORMATION THEREIN. WILL NOT COPY OR PERMIT COPYING THE DOCUMENT WILL NOT DISCLOSE TO OTHERS EITHER THE DOCUMENT OR THE INFORMATION THEREIN, AND WILL UPON COMPLETION OF THE NEED TO RETAIN THE DOCUMENT, OR UPON DEMAND, RETURN THE DOCUMENT WITHOUT RETAINING ANY OF THE INFORMATION CONTAINED THEREIN IN ANY FORM WHATSOEVER.