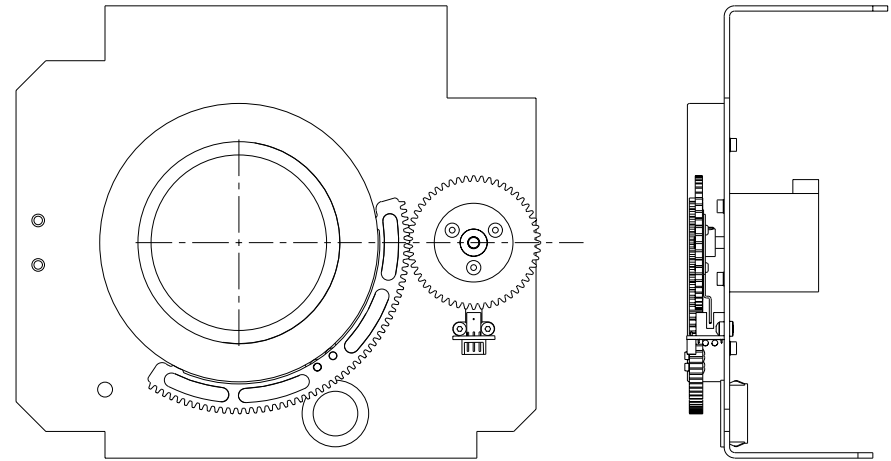
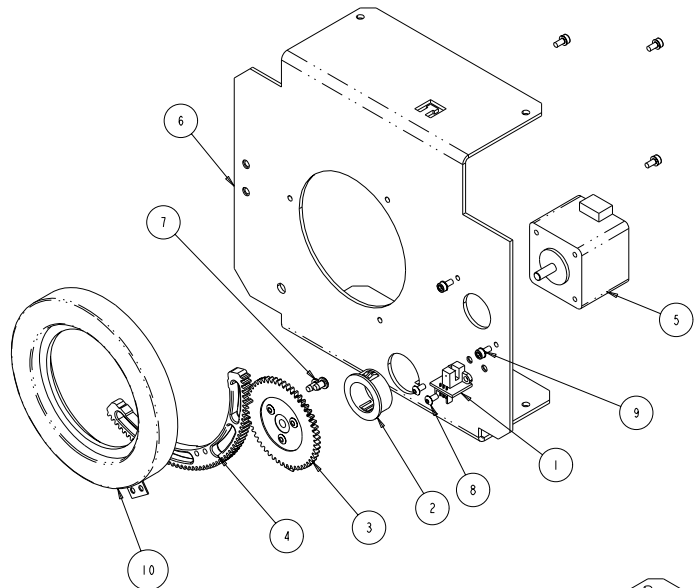


CATA021

REV.	DESCRIPTION	DATE	ENG	ECO #	APPR
4	5X DELETE BUTTON HEAD SCREWS;; IRIS WAS CHARTED	04OCT04	LR		



SCALE 1.000

ITEM NO.	QTY.	FILENAME	PART NO.	REV	DESCRIPTION
10	1	CAT452	80290010	B	IRIS, 75MM, FULLY CLSNG SNGL PLANE, COATED LEAF
9	5	SCREWM3AC06BZ	91000306	-	SCREW, M3 SOCKET CAP 06 BZ SEMS
8	2	SCREWM3AB06BZ	91010306	-	SCREW, M3 BUTON 06 BZ NYTEMP
7	2	SCREW6-32PPB250SS	90709027	-	SCREW, #6 PHIL PAN 1/4 B TYPE SS
6	1	CAT172	80071804	B	MOUNT, IRIS SUPPORT, HEAD, BLK DLI
5	1	MR108_02	99270076	-	MOTOR, STEP 2PH MET S17 15.1mm ALNICO NMB
4	1	WP266	99290017	-	IRIS DRIVE GEAR
3	1	CATA025	99430110	-	GEAR, ASSY IRIS SENSOR DLI
2	1	BUSHING-HEYCO-2140	90410030	-	BUSHING, SNAP 1" F100
1	1	FS709	80040022	-	BOARD, ASSY ME46 FLAG HOMING SENSOR

ITEM NO. QTY. FILENAME PART NO. REV DESCRIPTION

BILL OF MATERIALS

UNLESS OTHERWISE SPECIFIED	RELEASE DATE:	CE:	High End	2209 WEST BRAKER LANE	 LIGHTWAVE RESEARCH
DIMENSIONAL TOLERANCES:	ENG:	QA:		AUSTIN, TEXAS 78758	
0 PLACE DECIMAL = ±0.38	ME:			(512) 832-0363	
1 PLACE DECIMAL = ±0.25	MEG:	DRW: J MADDOX		FAK (512) 832-8542	
2 PLACE DECIMALS = ±0.13	ANGLES = ±0.5°	DESCRIPTION:	http://www.highend.com		
FOR PAINTED PARTS REFER TO ENG. SPEC. MANUAL WI-0592	MATERIAL:	ASSY, HEAD, IRIS ASSY, DLI			
MIN. DRAFT	FINISH:	CHARTED			
MIN. RADII	INTERPRET DIMENSIONS PER	SI METRIC	PART NO.	DRAWING NO.	REV.
FLATNESS	ASME Y14.5M-1994	A1	INTERNAL	CATA021	NA
THICKNESS	THIRD ANGLE PROJECTION		DO NOT SCALE	SCALE: 0.750	SHEET: 1 OF 1
VOLUME	DIMENSIONS ARE IN MILLIMETERS				

PROPRIETARY NOTICE:

THIS DOCUMENT CONTAINS CONFIDENTIAL AND PROPRIETARY INFORMATION OF HIGH END SYSTEMS INC., (ALSO DBA LIGHTWAVE RESEARCH) AND IS GIVEN TO THE RECEIVER IN CONFIDENCE. THE RECEIVER ACCEPTS AND AGREES THAT, EXCEPT AS AUTHORIZED BY HIGH END SYSTEMS, THE RECEIVER WILL NOT PERMIT THE USE OF THE DOCUMENT OR ANY COPY THEREOF ON THE INFORMATION THEREIN. WILL NOT COPY OR PERMIT COPYING THE DOCUMENT WILL NOT DISCLOSE TO OTHERS EITHER THE DOCUMENT OR THE INFORMATION THEREIN, AND WILL UPON COMPLETION OF THE NEED TO RETAIN THE DOCUMENT, OR UPON DEMAND, RETURN THE DOCUMENT WITHOUT RETAINING ANY OF THE INFORMATION CONTAINED THEREIN IN ANY FORM WHATSOEVER.