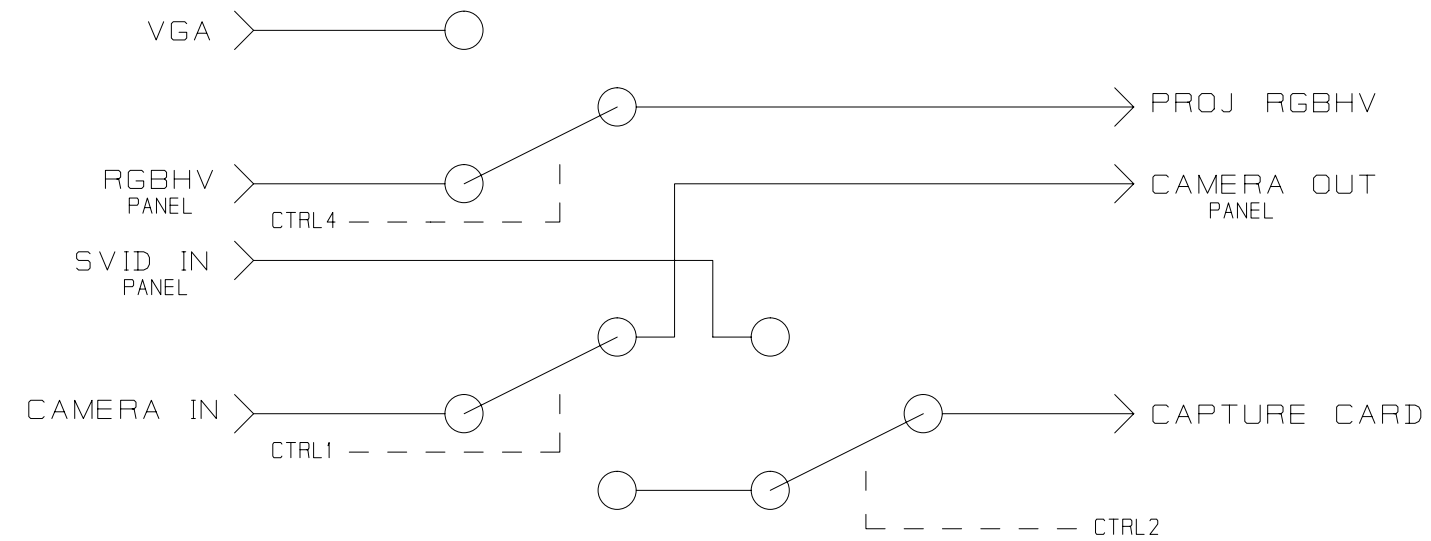


REVISION HISTORY

SCH REV	PCB REV	ECO #	DATE	COMMENT
1.0	1.0		04-25-05	INITIAL RELEASE
1.0.1	1.0	1731	06-14-05	BOM CHANGE TO J6 / NO PCB CHANGE
1.0.2	1.0	1739	06-27-05	BOM CHANGE TO J18 & J19 / NO PCB CHANGE
1.0.3	1.0	2072	08-25-06	BOM CHANGE TO K1-K7, K10-11 / NO PCB CHANGE


# DL2 VIDEO INTERFACE

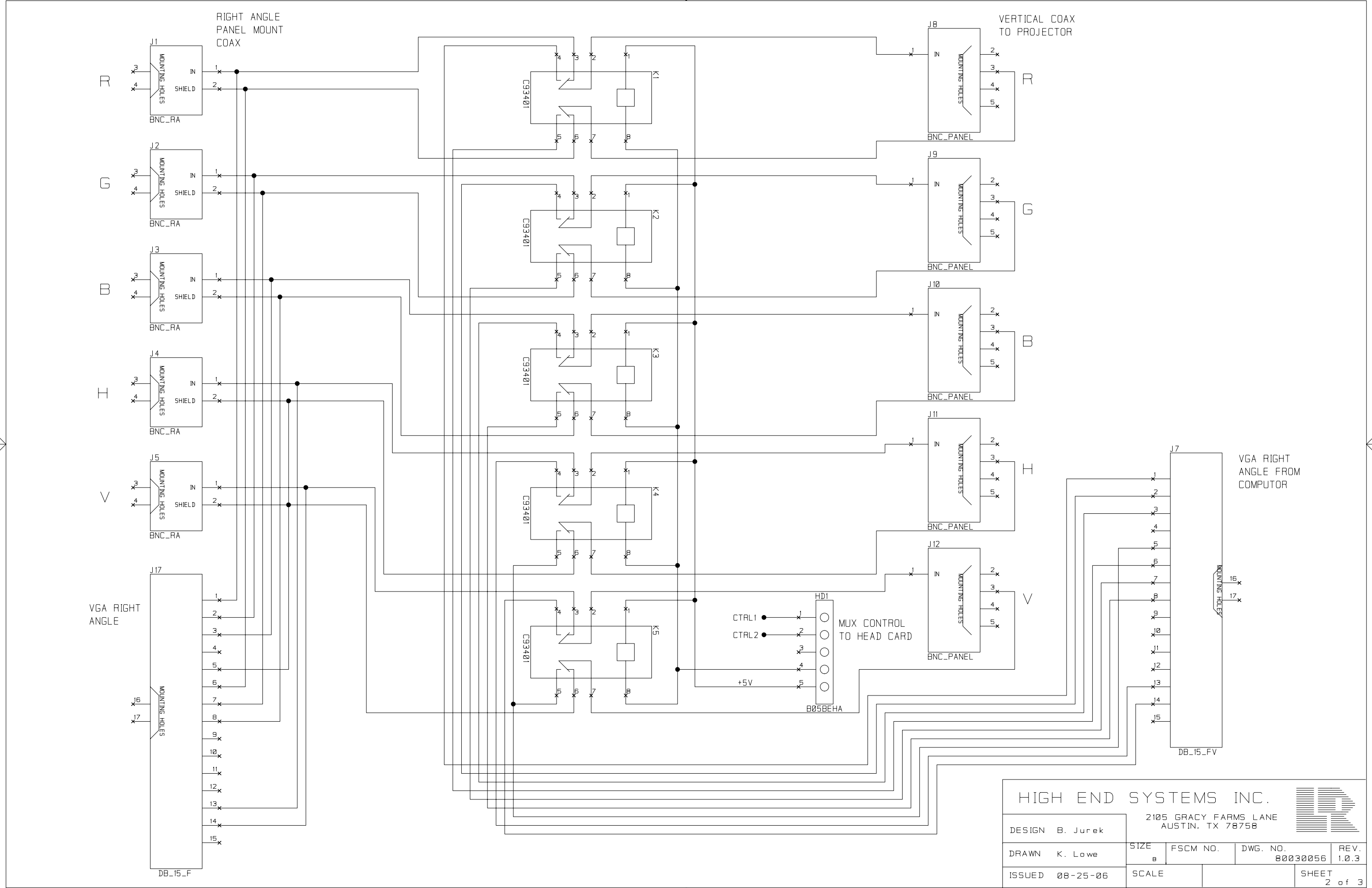
ASM: 80030056 REV: 1.0.3  
PCB: 99030161 REV: 1.0



Copyright (c) 1994-2006 High End Systems, Inc. All rights reserved worldwide.

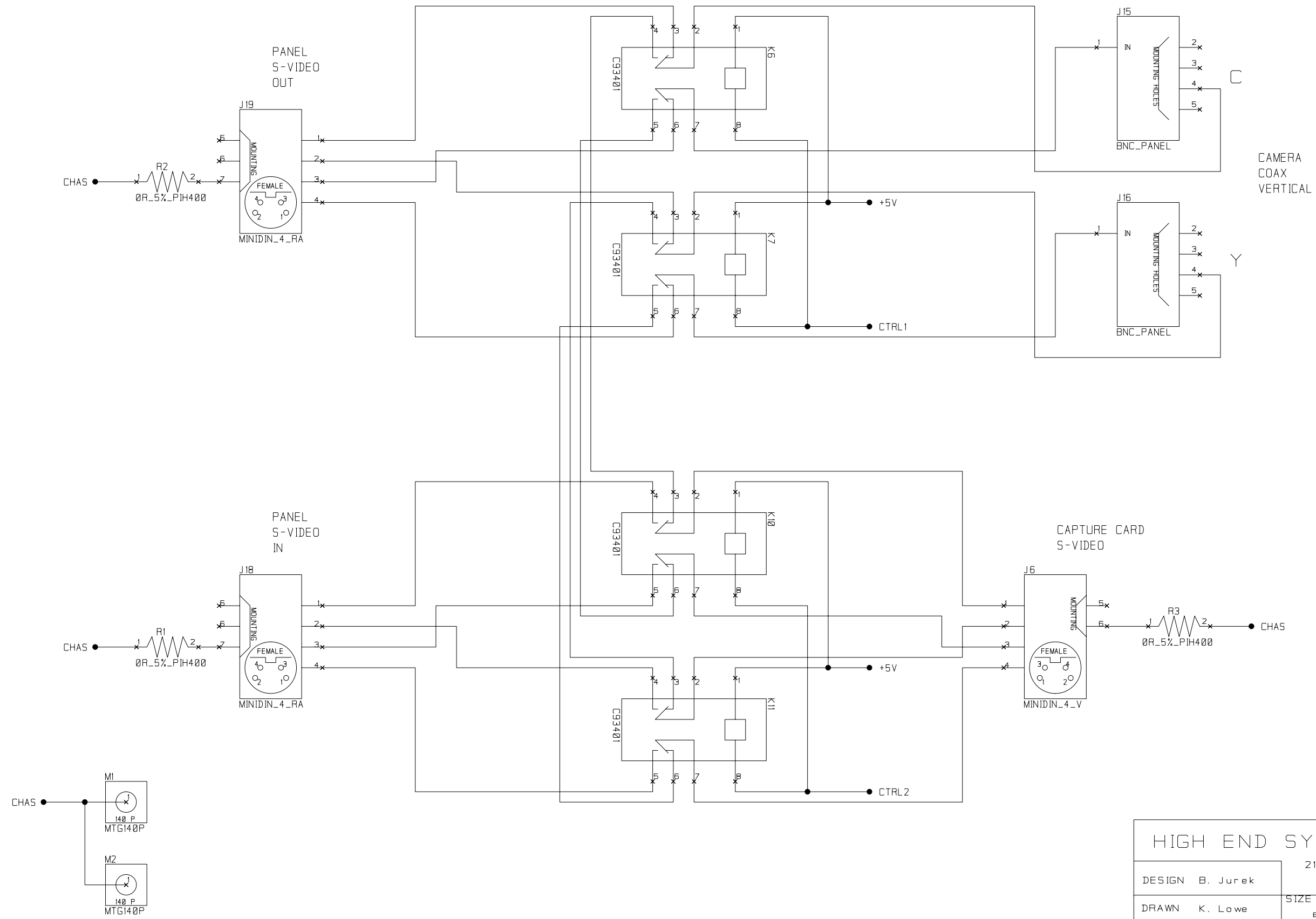
DL2, Lightwave Research, the Lightwave Research logo, High End Systems and the High End Systems logo are the registered trademarks of High End Systems, Inc. Trademarks and trade names of others may be used in this document to refer to either such other entities or to their products. High End Systems, Inc. disclaims any proprietary interest or connection to such marks or entities.

HIGH END SYSTEMS INC.		2105 GRACY FARMS LANE AUSTIN, TX 78758		
DESIGN	B. Jurek	SIZE	FSCM NO.	DWG. NO.
DRAWN	K. Lowe	a		80030056
ISSUED	08-25-06	SCALE		SHEET
				1 of 3



HIGH END SYSTEMS INC.					
2105 GRACY FARMS LANE AUSTIN, TX 78758					
DESIGN	B. Jurek	SIZE	FSCM NO.	DWG. NO.	REV.
DRAWN	K. Lowe	B		80030056	1.0.3
ISSUED	08-25-06	SCALE			SHEET
					2 of 3

ALL SIGNALS ARE S-VIDEO



HIGH END SYSTEMS INC.					
2105 GRACY FARMS LANE AUSTIN, TX 78758					
DESIGN	B. Jurek	SIZE	FSCM NO.	DWG. NO.	REV.
DRAWN	K. Lowe	8		80030056	1.0.3
ISSUED	08-25-06	SCALE			SHEET
					3 of 3