

REVISION HISTORY

SCH REV	PCB REV	ECO#	DATE	COMMENT
1.0	1.0		02-17-05	INITIAL RELEASE
1.1	1.1	1724	06-03-05	BOM / MOUNTING HOLE CHANGES - NOT PRODUCED, ROLLED INTO EC#1727
1.2	1.2	1727	06-03-05	BOM CHANGES - RELEASED FOR PRODUCTION
1.2.1	1.2	1758	07-25-05	BOM CHANGE - R13 CHANGED TO 1K OHM
1.2.2	1.2	1795	08-26-05	BOM CHANGE - L1 CHANGED TO 1A PART / ASSEMBLY DRAWING CHANGE
1.2.3	1.2	2088	09-18-06	BOM CHANGE - ADD TUBING TO VERT RESISTORS / ASM DRAWING CHANGE


DL2 HEAD BOARD

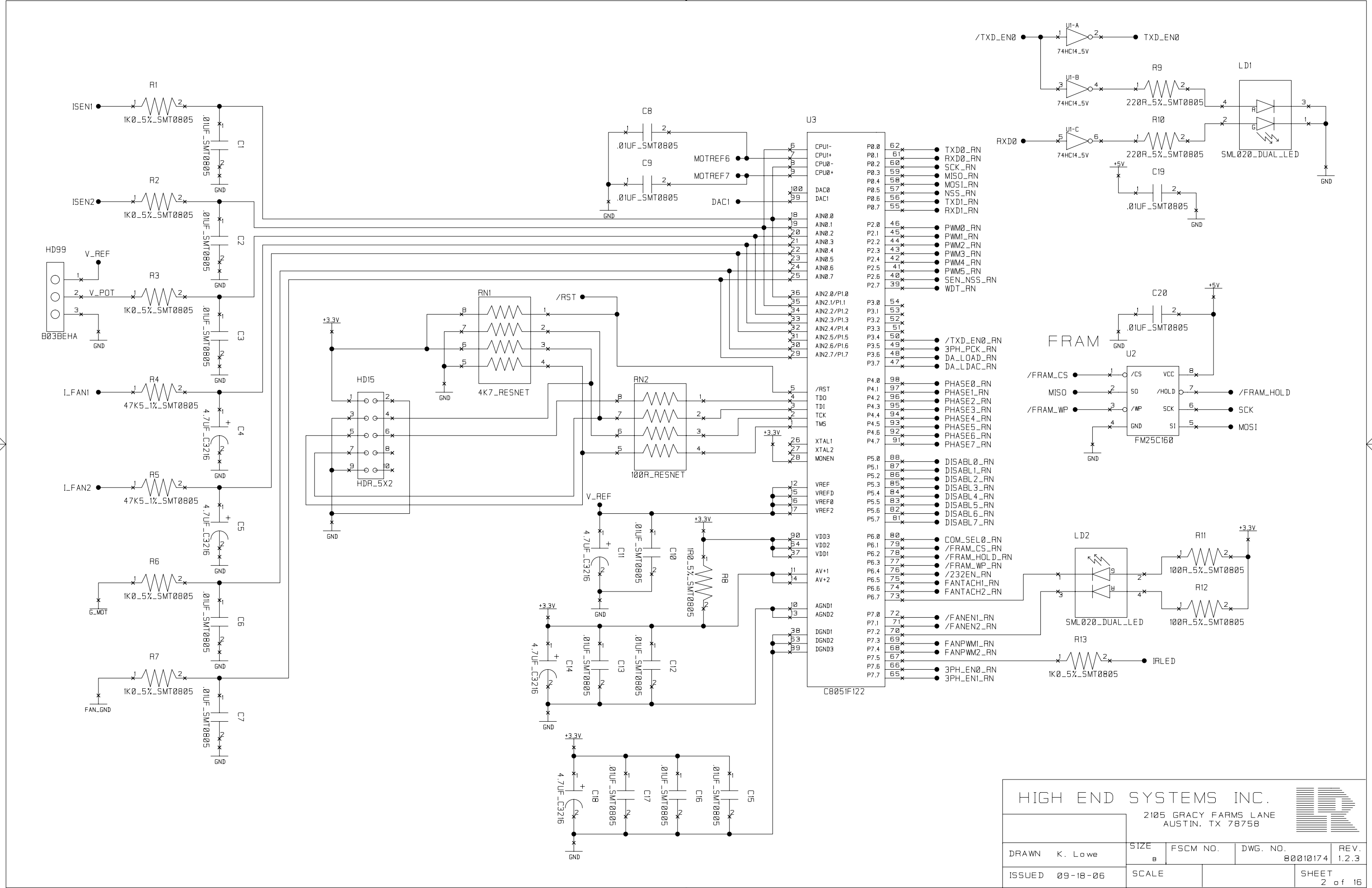
ASM: 80010174 REV: 1.2.3
PCB: 90030157 REV: 1.2

- 1) TITLE
- 2) CPU / FRAM
- 3) VOLTAGE REGULATORS
- 4) DIGITAL to ANALOG
- 5) FAN DRIVERS
- 6) COM
- 7) SENSORS
- 8) MOTOR DRIVER
- 9) MOTOR DRIVER
- 10) MOTOR DRIVER
- 11) MOTOR DRIVER
- 12) 3 PHASE MOTOR DRIVERS
- 13) 3 PHASE PROTECTION
- 14) ENCODER CPU
- 15) CPU RPACS
- 16) MECHANICAL PARTS

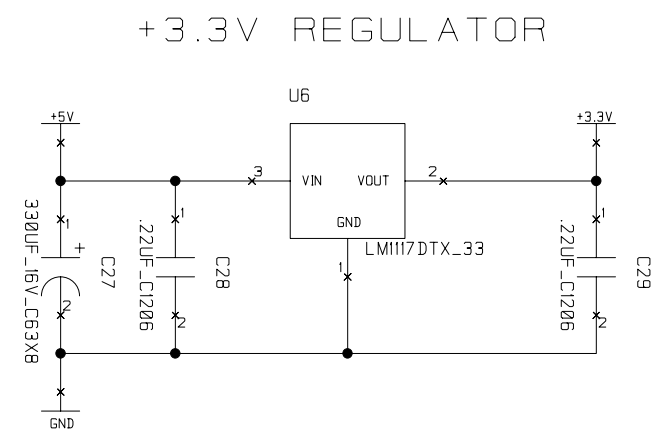
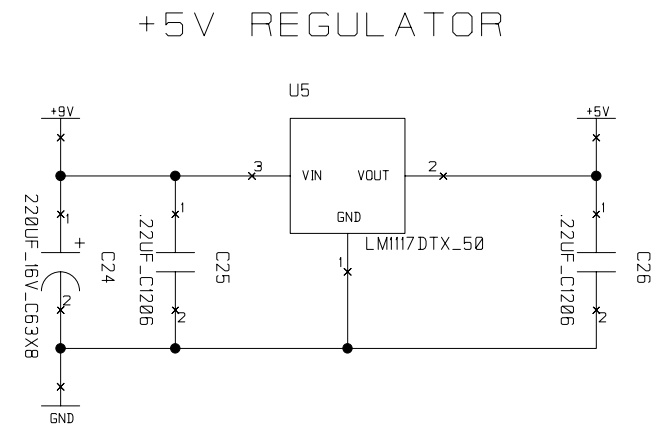
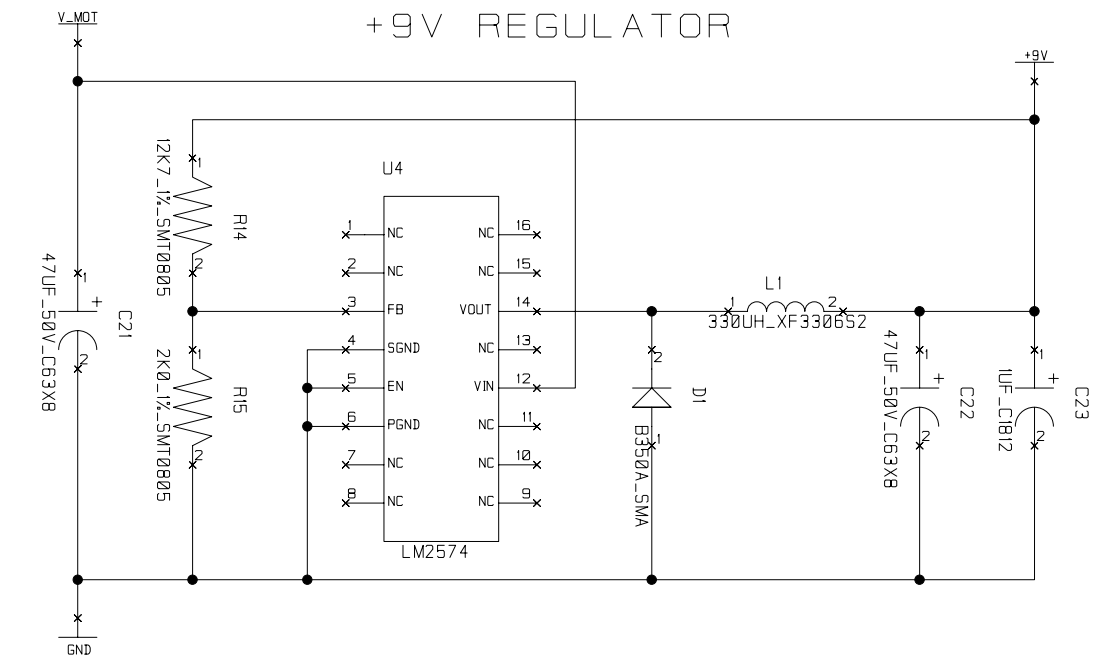
Copyright (c) 1994-2005 High End Systems, Inc. All rights reserved worldwide.

Name, Lightwave Research, the Lightwave Research logo, High End Systems and the High End Systems logo are registered trademarks of High End Systems, Inc. Trademarks and trade names of others may be used in this document to refer to either such other entities or to their products. High End Systems, Inc. disclaims any proprietary interest or connection to such marks or entities.

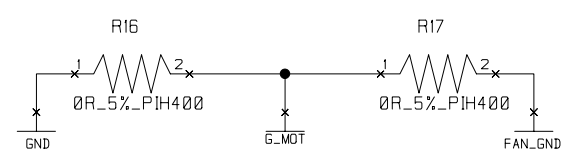
HIGH END SYSTEMS INC.		2105 GRACY FARMS LANE AUSTIN, TX 78758		
DRAWN K. Lowe	SIZE a	FSCM NO.	DWG. NO. 80010174	REV. 1.2.3
ISSUED 09-18-06	SCALE		SHEET 1 of 16	



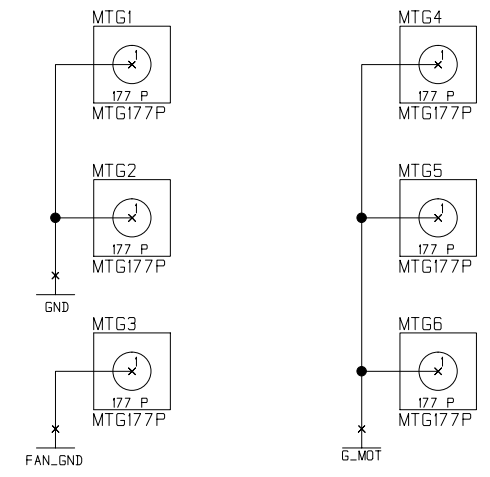
HIGH END SYSTEMS INC.					
2105 GRACY FARMS LANE AUSTIN, TX 78758					
DRAWN K. Lowe		SIZE B	FSCM NO.	DWG. NO. 80010174	REV. 1.2.3
ISSUED 09-18-06		SCALE		SHEET 2 of 16	



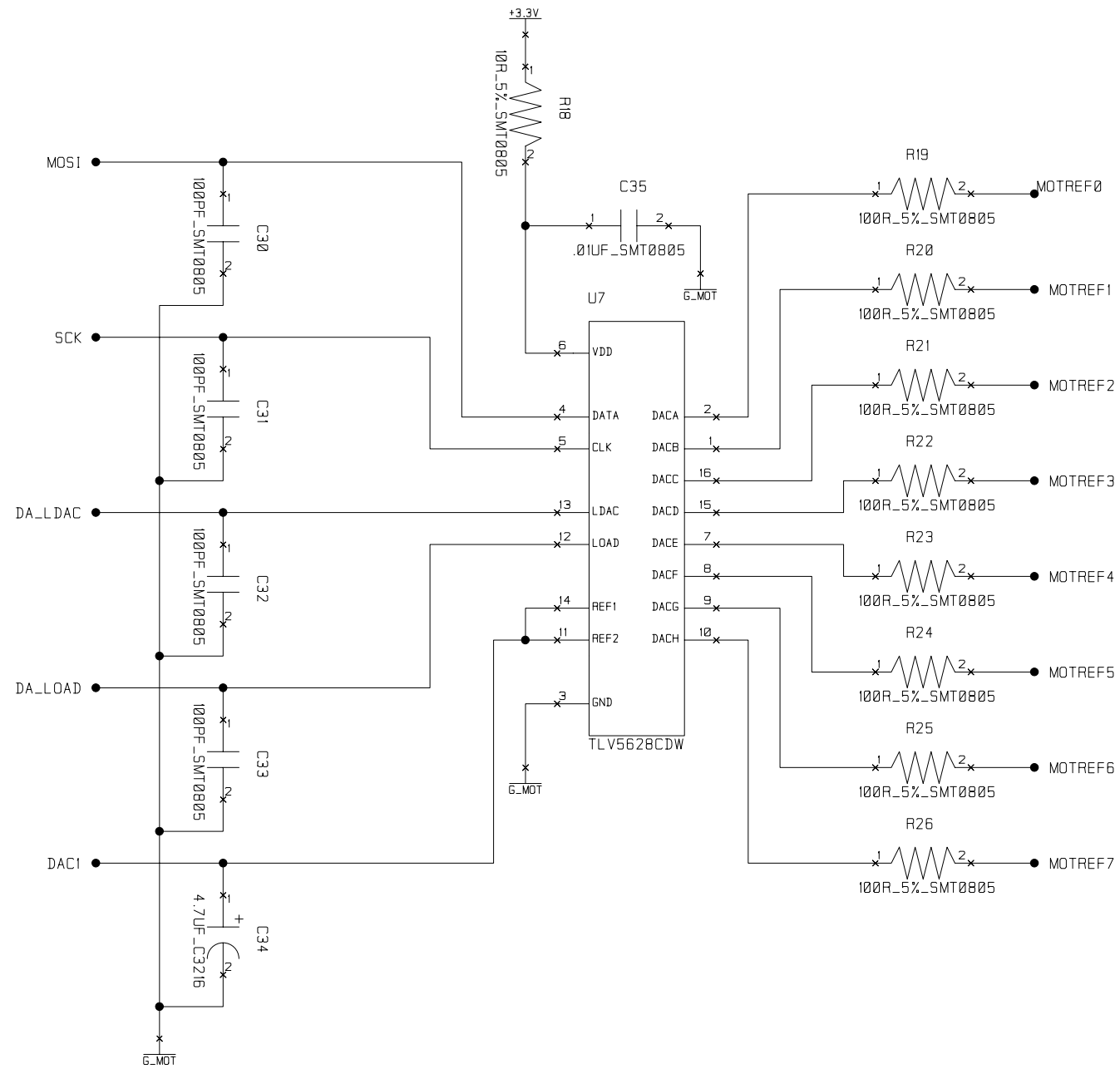
GND JUMPER OPTIONS



MOUNTING HOLES



HIGH END SYSTEMS INC.		2105 GRACY FARMS LANE AUSTIN, TX 78758			
DRAWN	K. Lowe	SIZE	FSCM NO.	DWG. NO.	REV.
ISSUED	09-18-06	B		80010174	1.2.3
		SCALE			SHEET 3 of 16

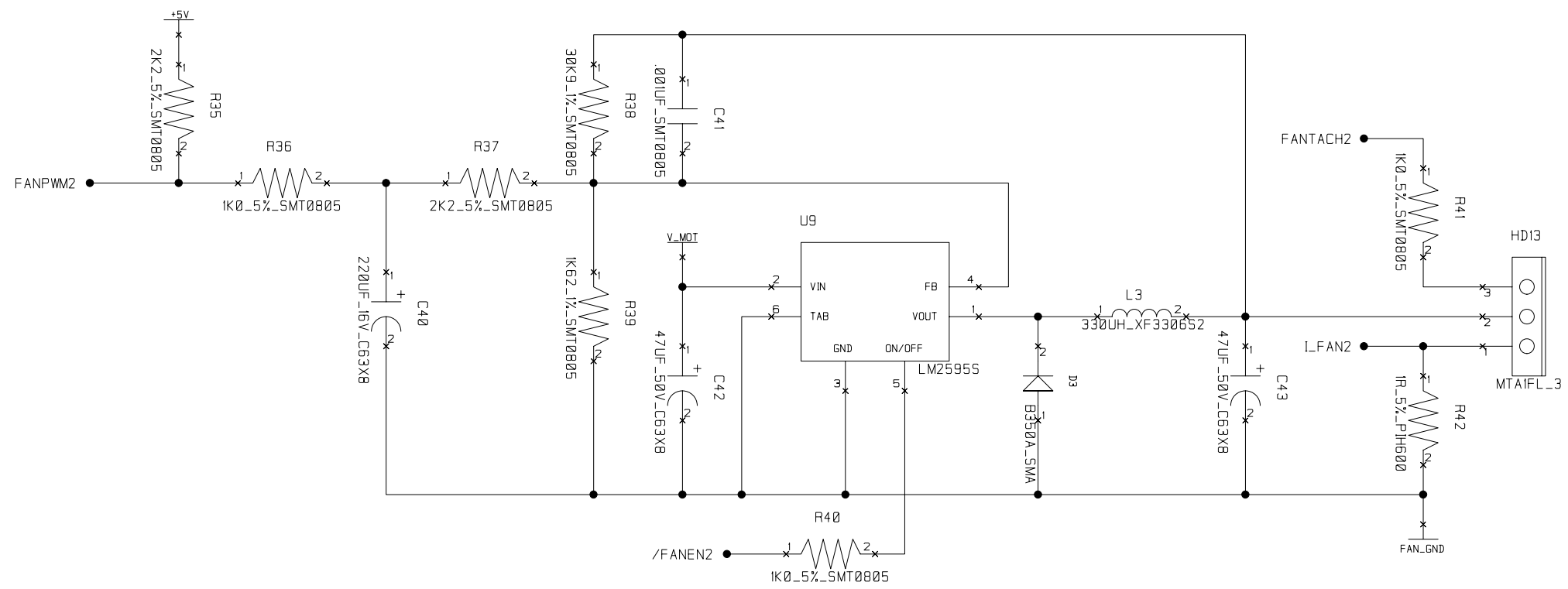
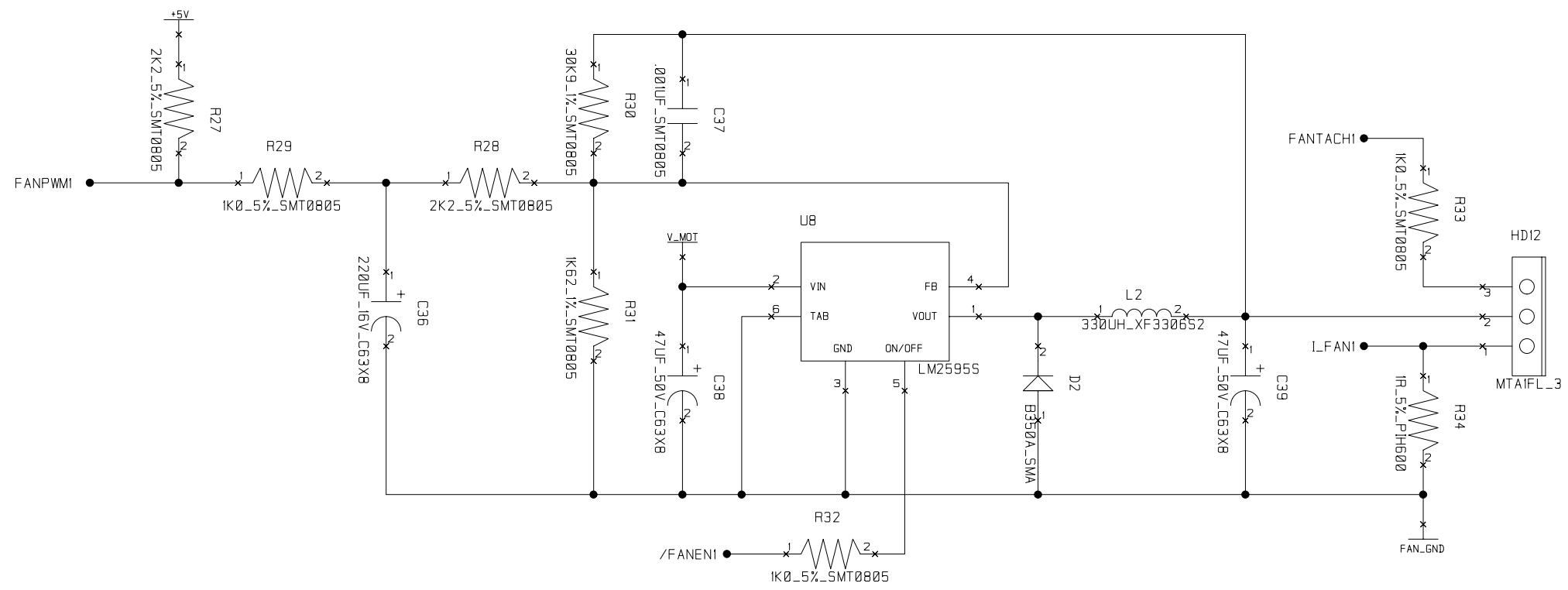


HIGH END SYSTEMS INC.

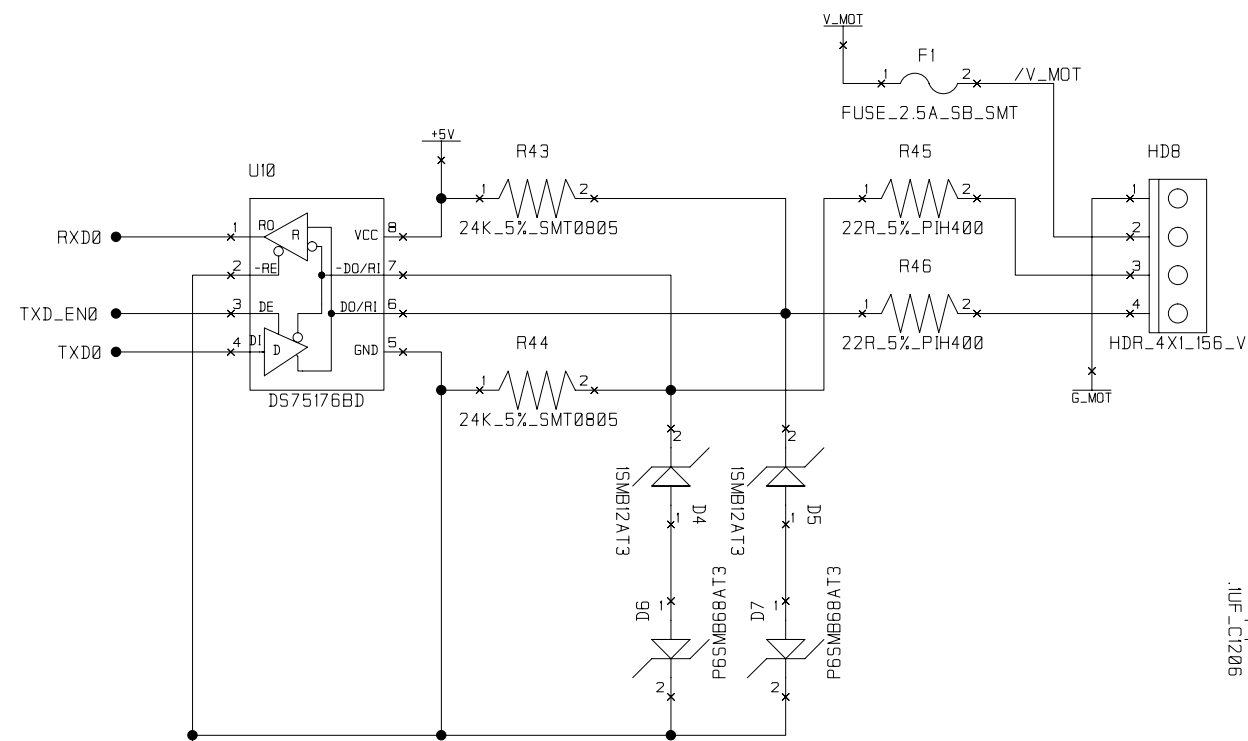
2105 GRACY FARMS LANE
AUSTIN, TX 78758



DRAWN	K. Lowe	SIZE	FSCM NO.	DWG. NO.	REV.
ISSUED	09-18-06	SCALE		80010174	1.2.3
				SHEET 4 of 16	

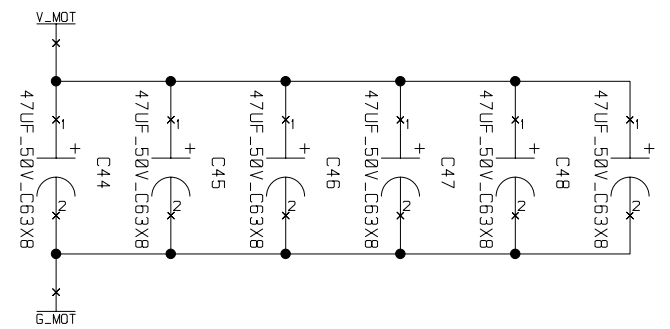


HIGH END SYSTEMS INC.					
2105 GRACY FARMS LANE AUSTIN, TX 78758					
DRAWN K. Lowe		SIZE B	FSCM NO.	DWG. NO. 80010174	REV. 1.2.3
ISSUED 09-18-06		SCALE		SHEET 5 of 16	

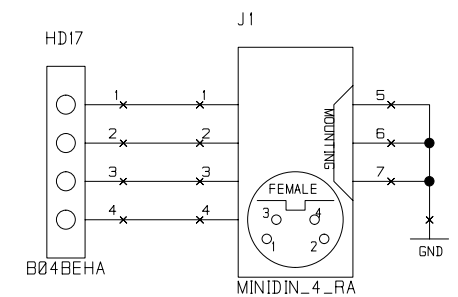


MODULE LINK

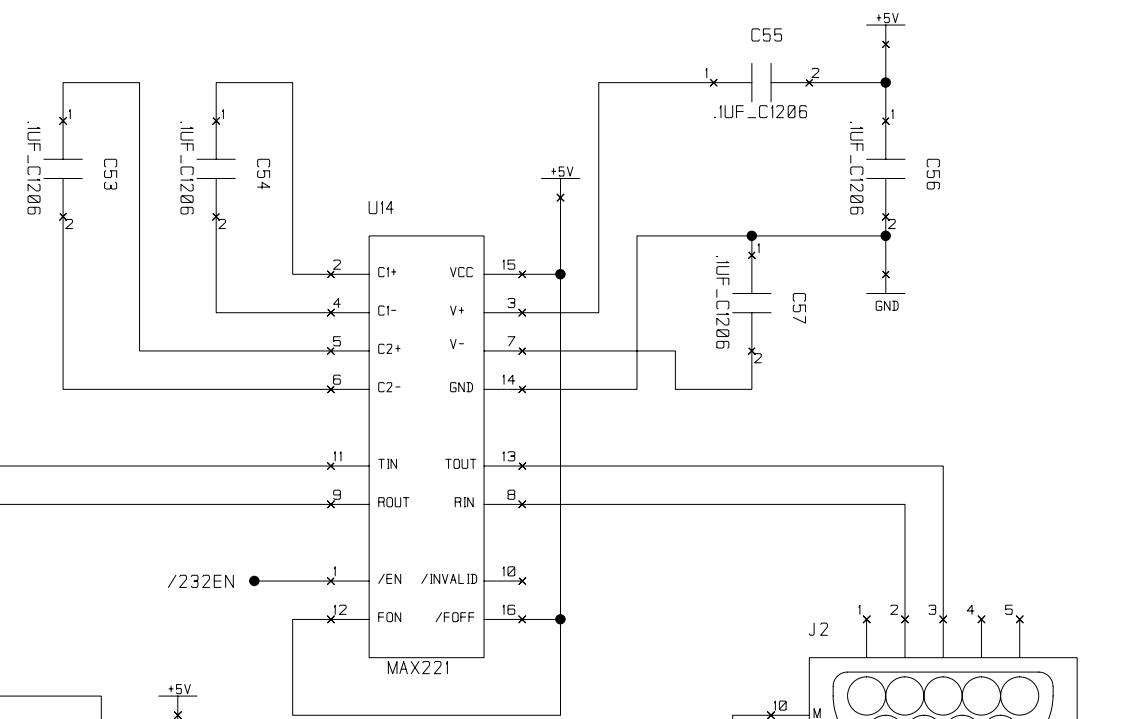
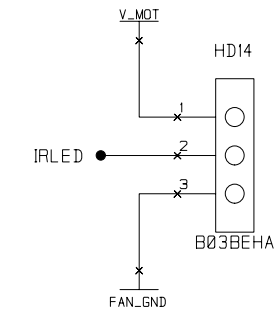
BULK DECOUPLING



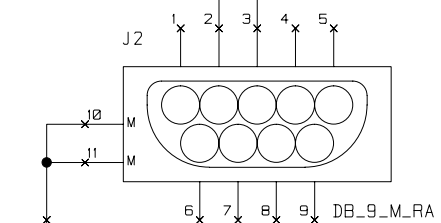
CAMERA S-VIDEO



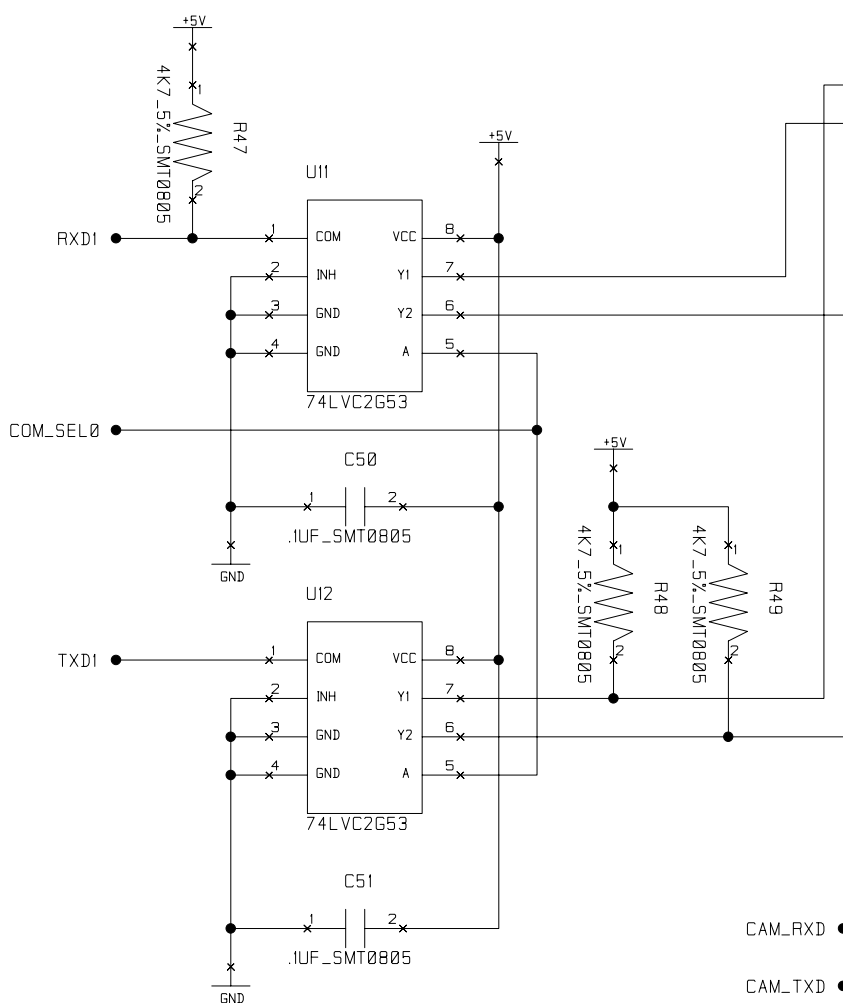
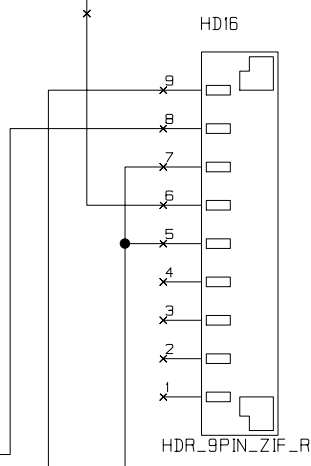
IR ILLUMINATOR




PROJECTOR



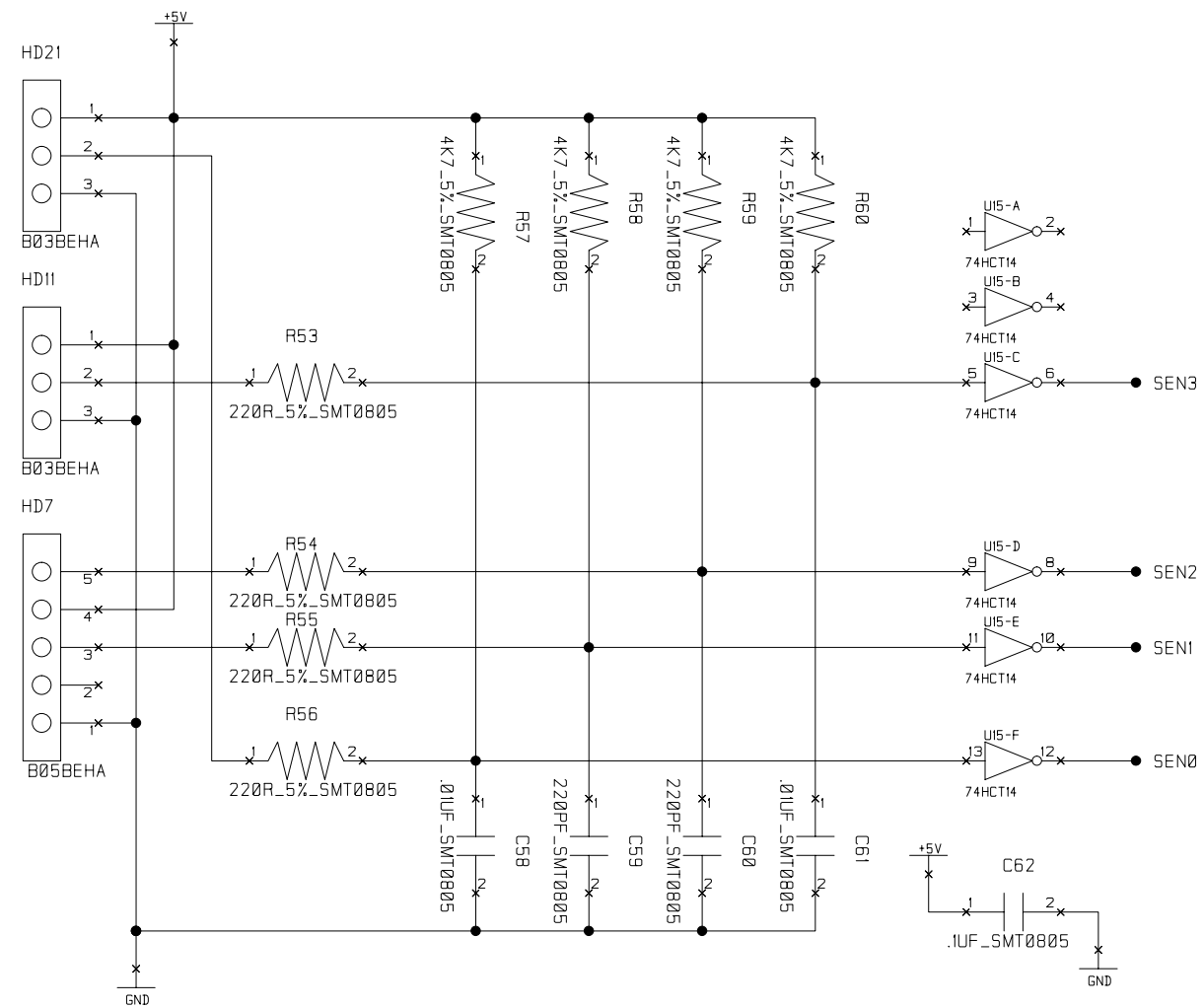
CAMERA




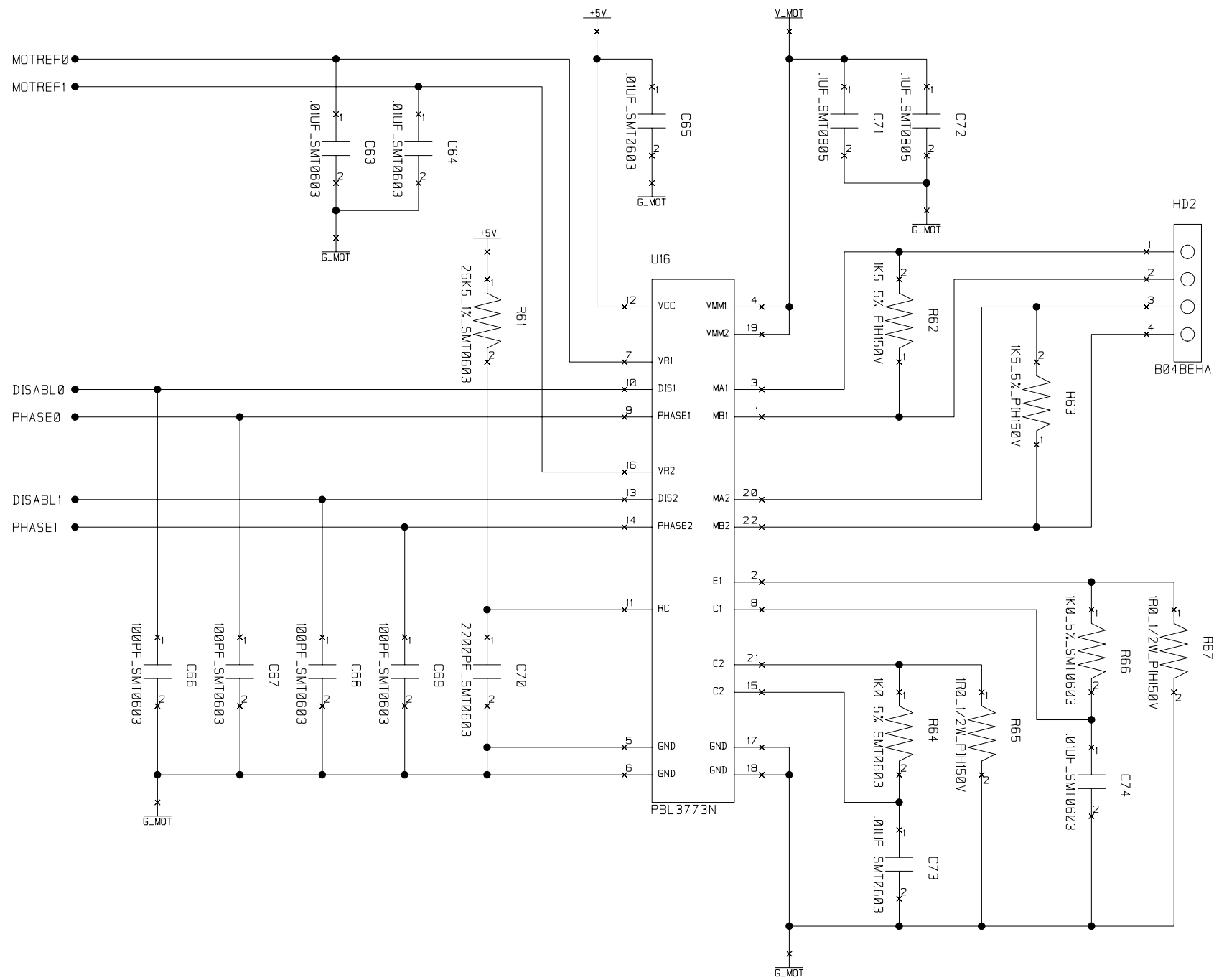
HIGH END SYSTEMS INC. 

2105 GRACY FARMS LANE
AUSTIN, TX 78758

DRAWN	K. Lowe	SIZE	FSCM NO.	DWG. NO.	REV.
ISSUED	09-18-06	SCALE		80010174	1.2.3
				SHEET 6 of 16	




HIGH END SYSTEMS INC.					
2105 GRACY FARMS LANE AUSTIN, TX 78758					
DRAWN	K. Lowe	SIZE	FSCM NO.	DWG. NO.	REV.
		B		80010174	1.2.3
ISSUED	09-18-06	SCALE			SHEET
					7 of 16

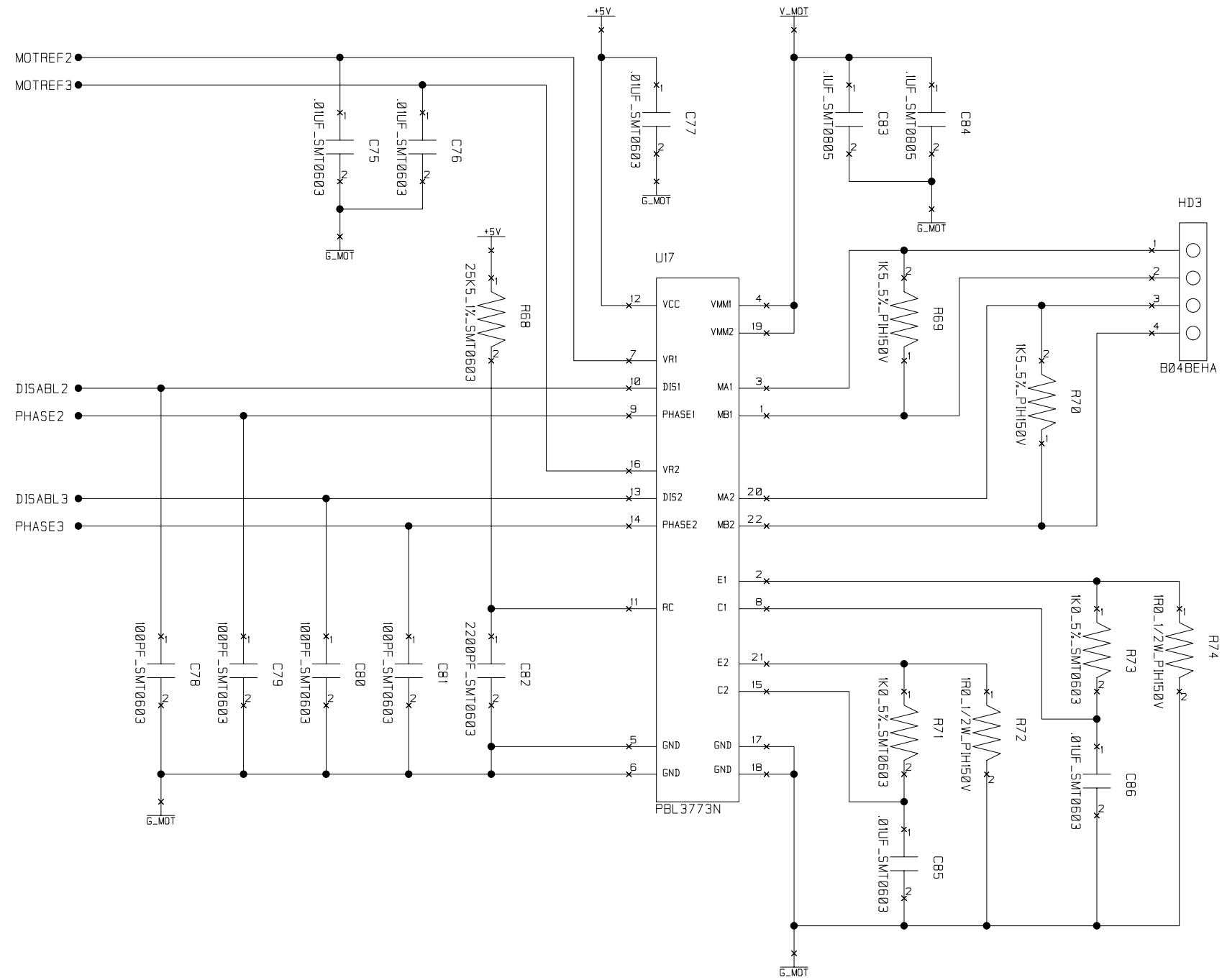


HIGH END SYSTEMS INC.

2105 GRACY FARMS LANE
AUSTIN, TX 78758



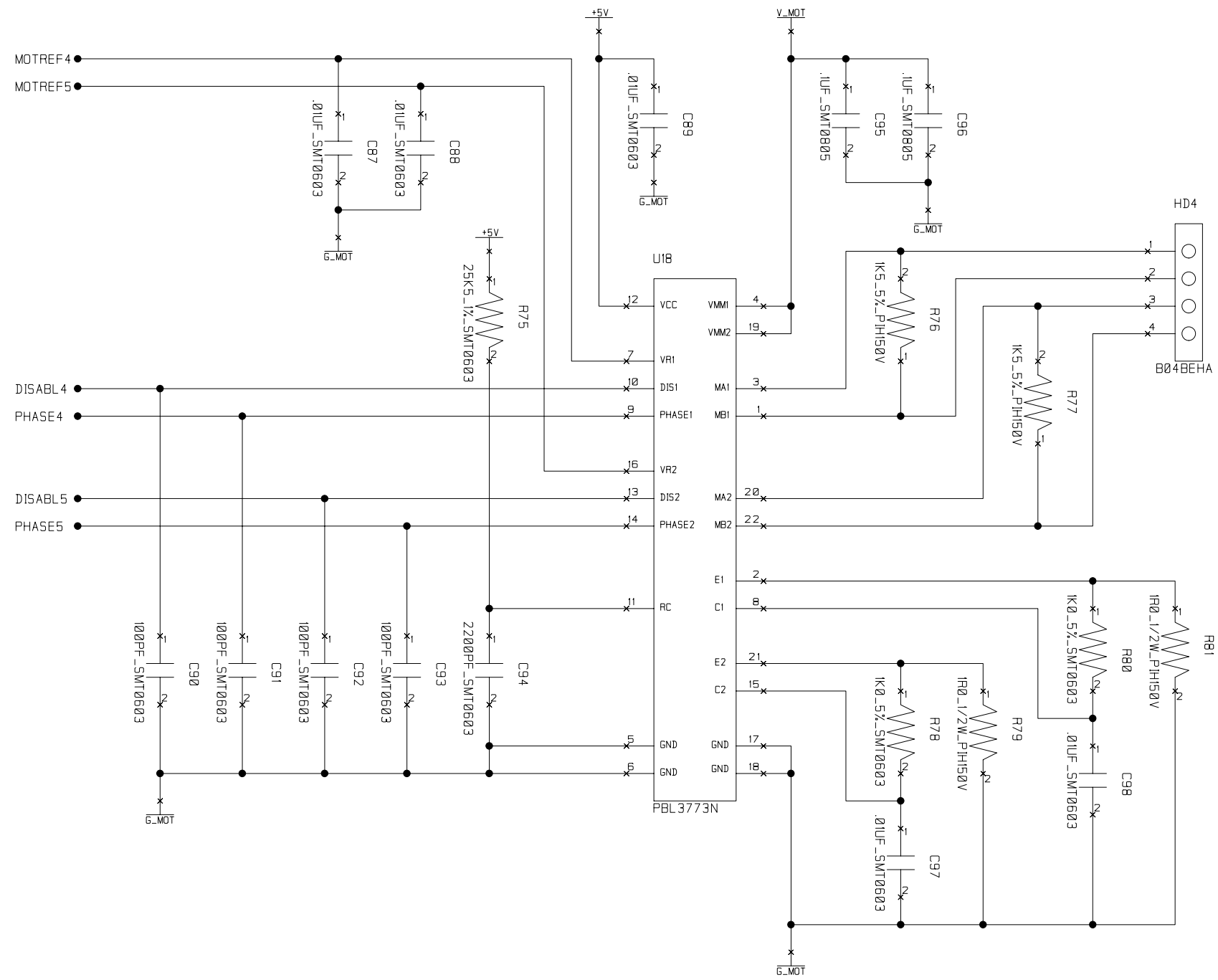
DRAWN	K. Lowe	SIZE	FSCM NO.	DWG. NO.	REV.
		B		80010174	1.2.3
ISSUED	09-18-06	SCALE		SHEET	
				8 of 16	




HIGH END SYSTEMS INC.

2105 GRACY FARMS LANE
AUSTIN, TX 78758

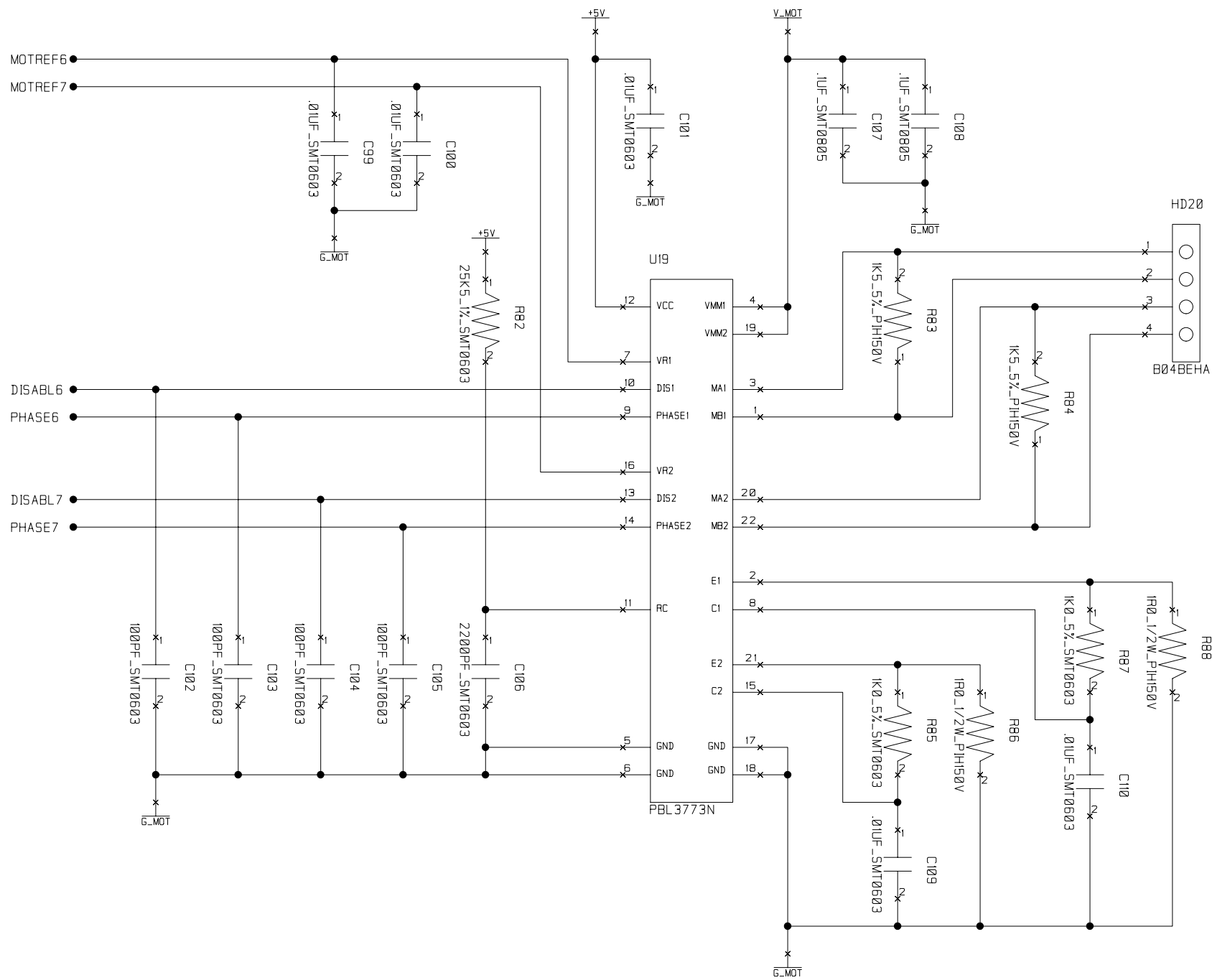
DRAWN	K. Lowe	SIZE	FSCM NO.	DWG. NO.	REV.
		B		80010174	1.2.3
ISSUED	09-18-06	SCALE		SHEET	
				9 of 16	



HIGH END SYSTEMS INC. 


2105 GRACY FARMS LANE
AUSTIN, TX 78758

DRAWN	K. Lowe	SIZE	FSCM NO.	DWG. NO.	REV.
		B		80010174	1.2.3
ISSUED	09-18-06	SCALE		SHEET	
				10 of 16	

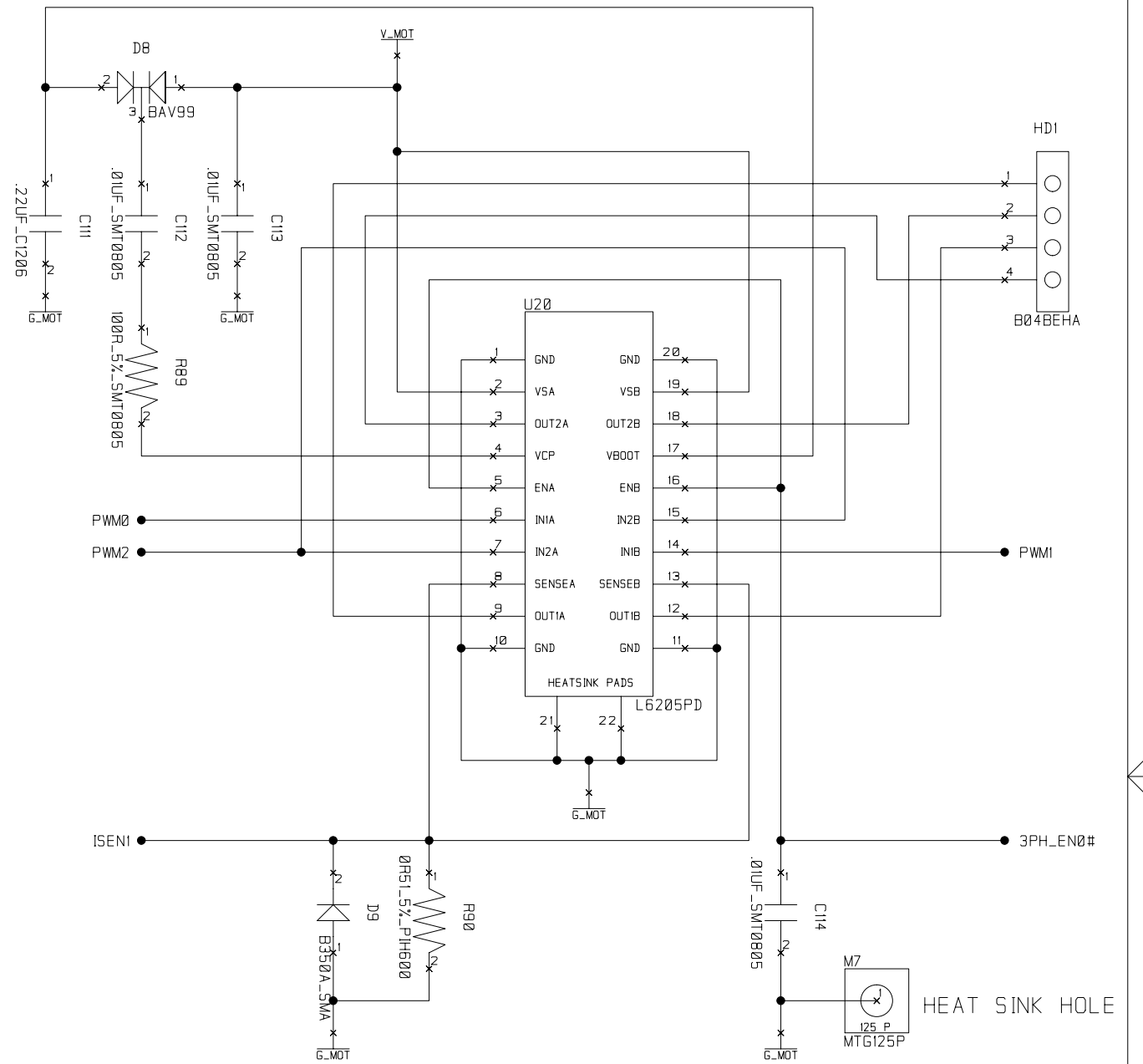
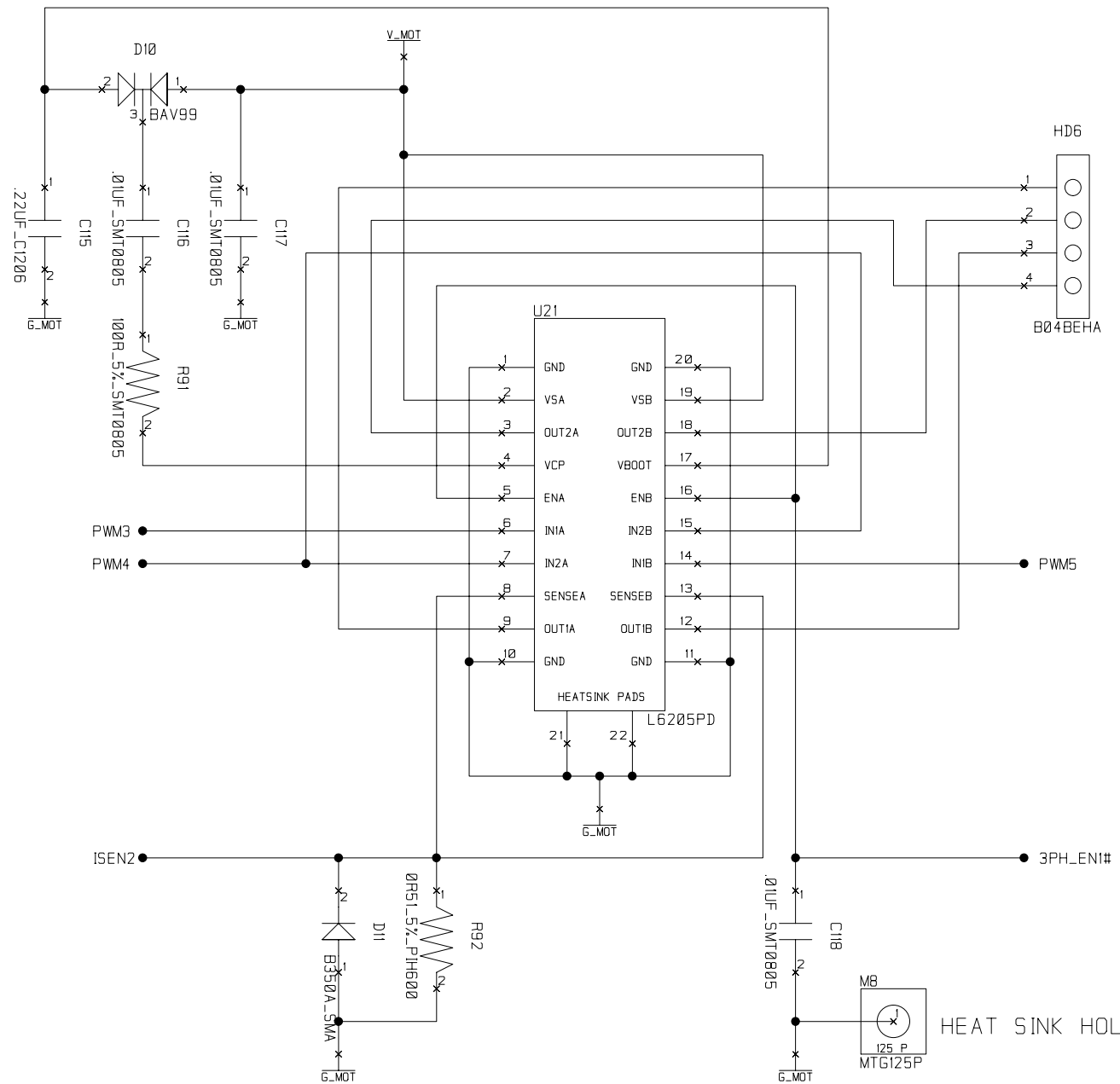


HIGH END SYSTEMS INC.

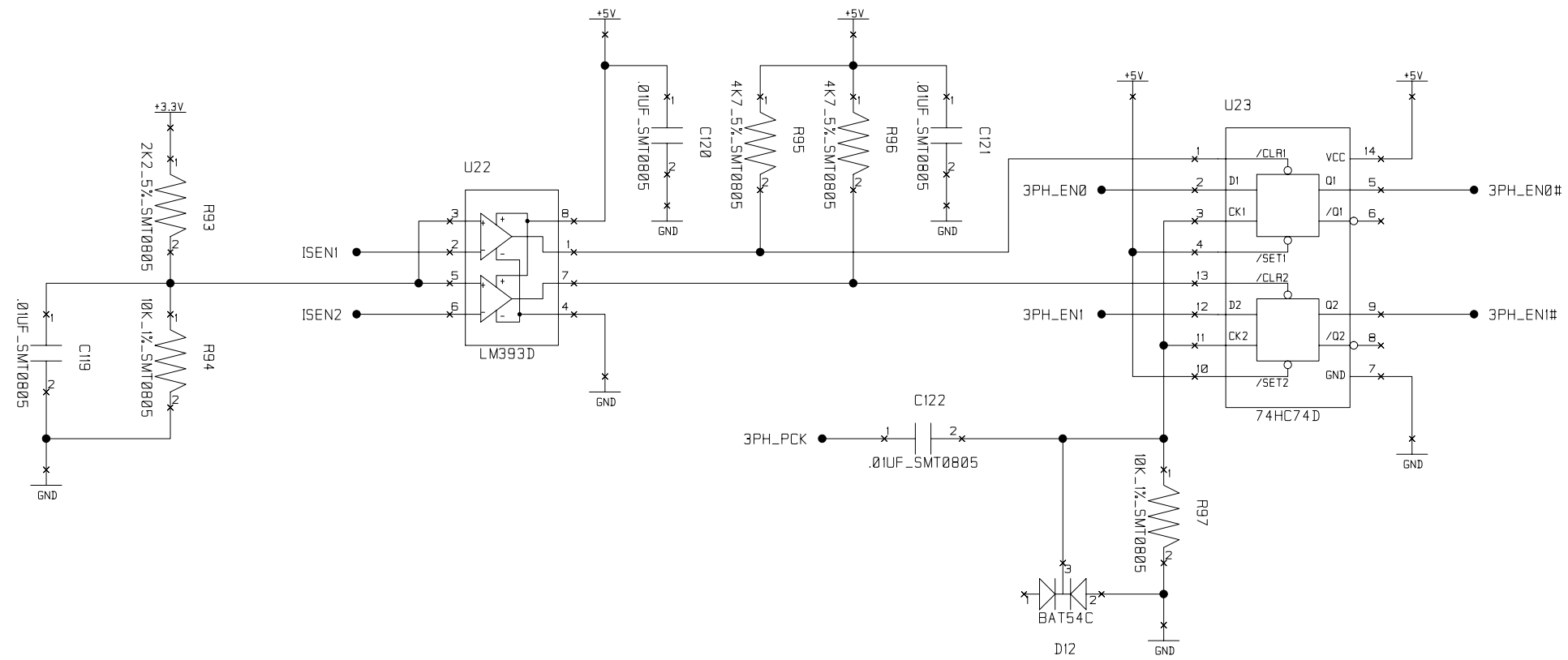
2105 GRACY FARMS LANE
AUSTIN, TX 78758




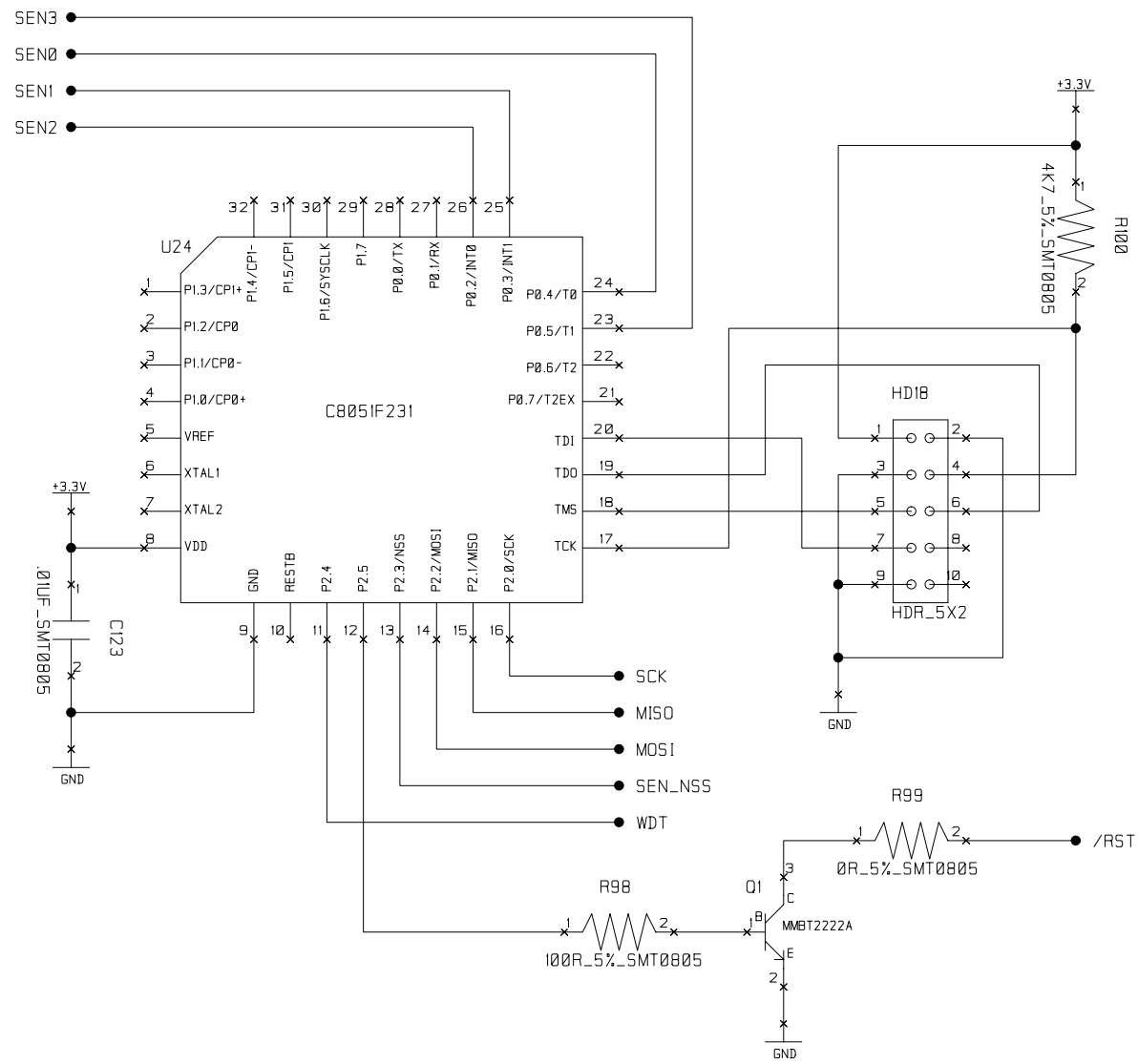
DRAWN	K. Lowe	SIZE	FSCM NO.	DWG. NO.	REV.
		B		80010174	1.2.3
ISSUED	09-18-06	SCALE		SHEET	
				11 of 16	



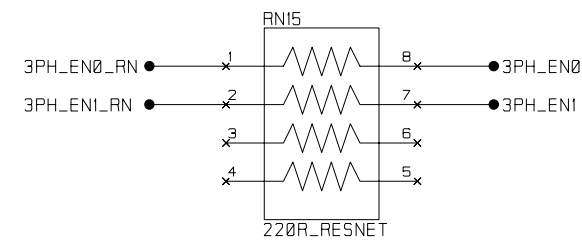
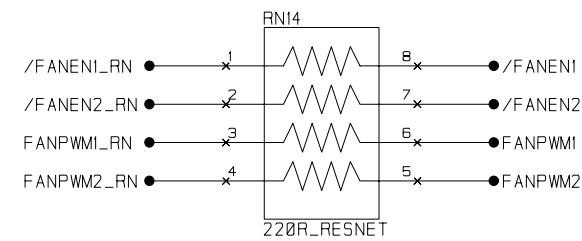
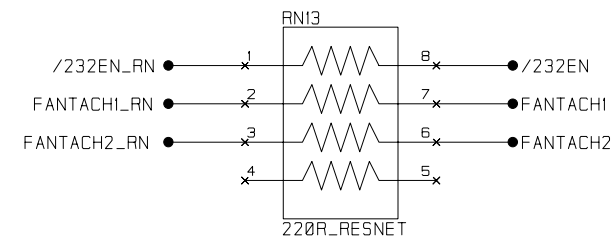
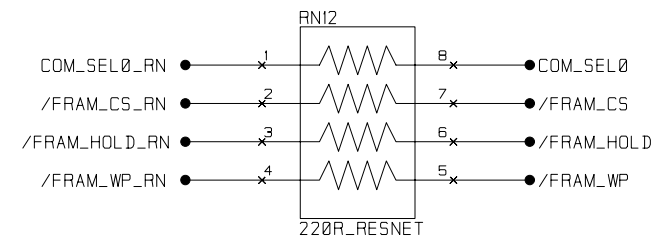
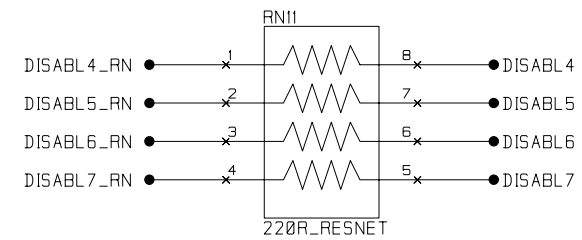
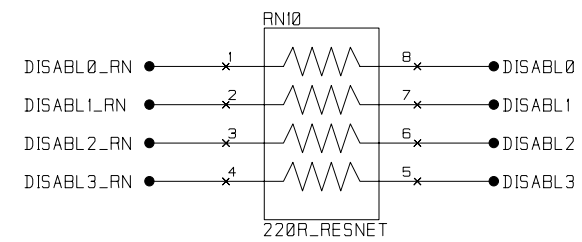
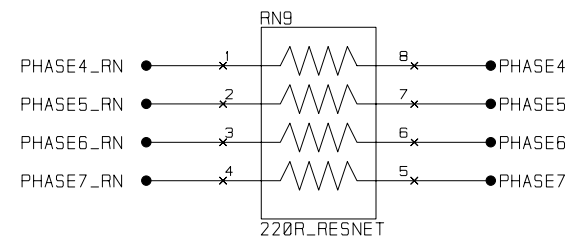
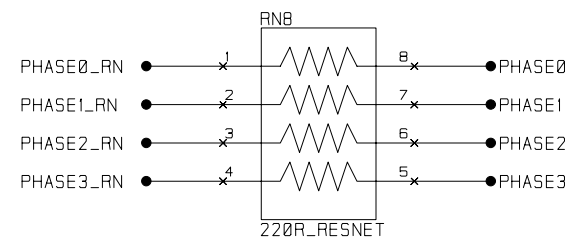
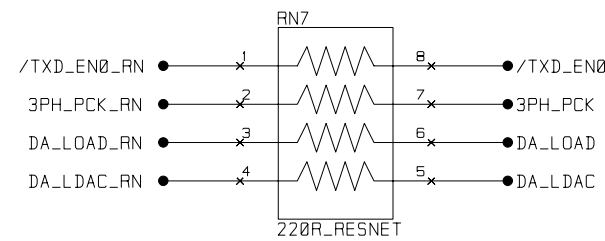
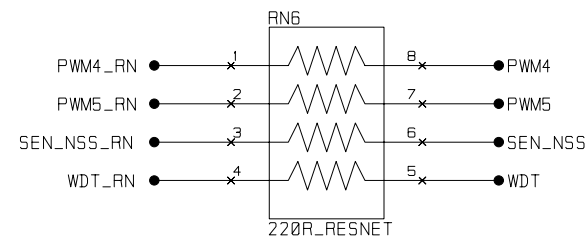
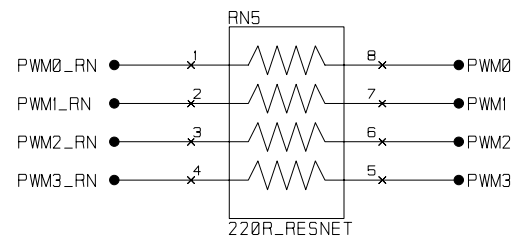
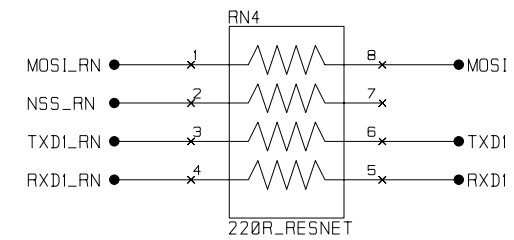
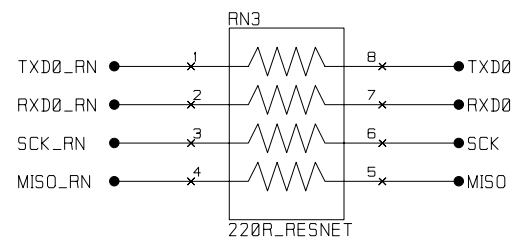
HIGH END SYSTEMS INC.				
2105 GRACY FARMS LANE AUSTIN, TX 78758				
DRAWN	K. Lowe	SIZE	FSCM NO.	DWG. NO.
ISSUED	09-18-06	B		80010174
SCALE			REV. 1.2.3	
			SHEET 12 of 16	



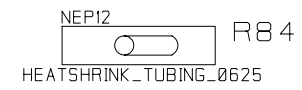
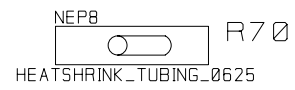
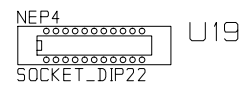
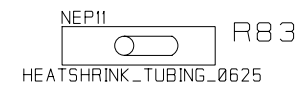
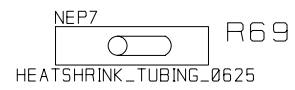
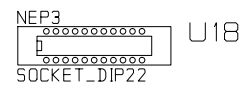
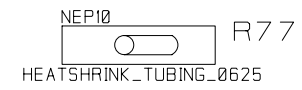
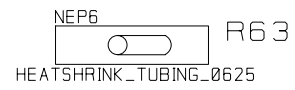
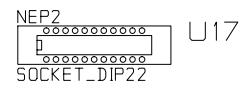
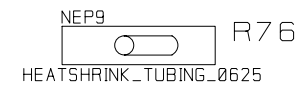
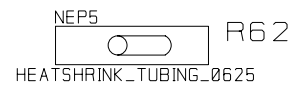
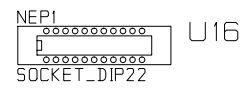
HIGH END SYSTEMS INC.					
2105 GRACY FARMS LANE AUSTIN, TX 78758					
DRAWN	K. Lowe	SIZE	FSCM NO.	DWG. NO.	REV.
ISSUED	09-18-06	B		80010174	1.2.3
SCALE		SHEET			13 of 16



HIGH END SYSTEMS INC.					
2105 GRACY FARMS LANE AUSTIN, TX 78758					
DRAWN	K. Lowe	SIZE	FSCM NO.	DWG. NO.	REV.
ISSUED	09-18-06	B		80010174	1.2.3
SCALE		SHEET			14 of 16



HIGH END SYSTEMS INC.					
2105 GRACY FARMS LANE AUSTIN, TX 78758					
DRAWN	K. Lowe	SIZE	FSCM NO.	DWG. NO.	REV.
ISSUED	09-18-06	B		80010174	1.2.3
SCALE			SHEET		15 of 16



HIGH END SYSTEMS INC.

2105 GRACY FARMS LANE
AUSTIN, TX 78758



DRAWN	K. Lowe	SIZE	FSCM NO.	DWG. NO.	REV.
		a		80010174	1.2.3
ISSUED	09-18-06	SCALE		SHEET	16 of 16